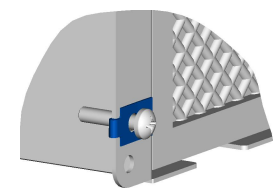
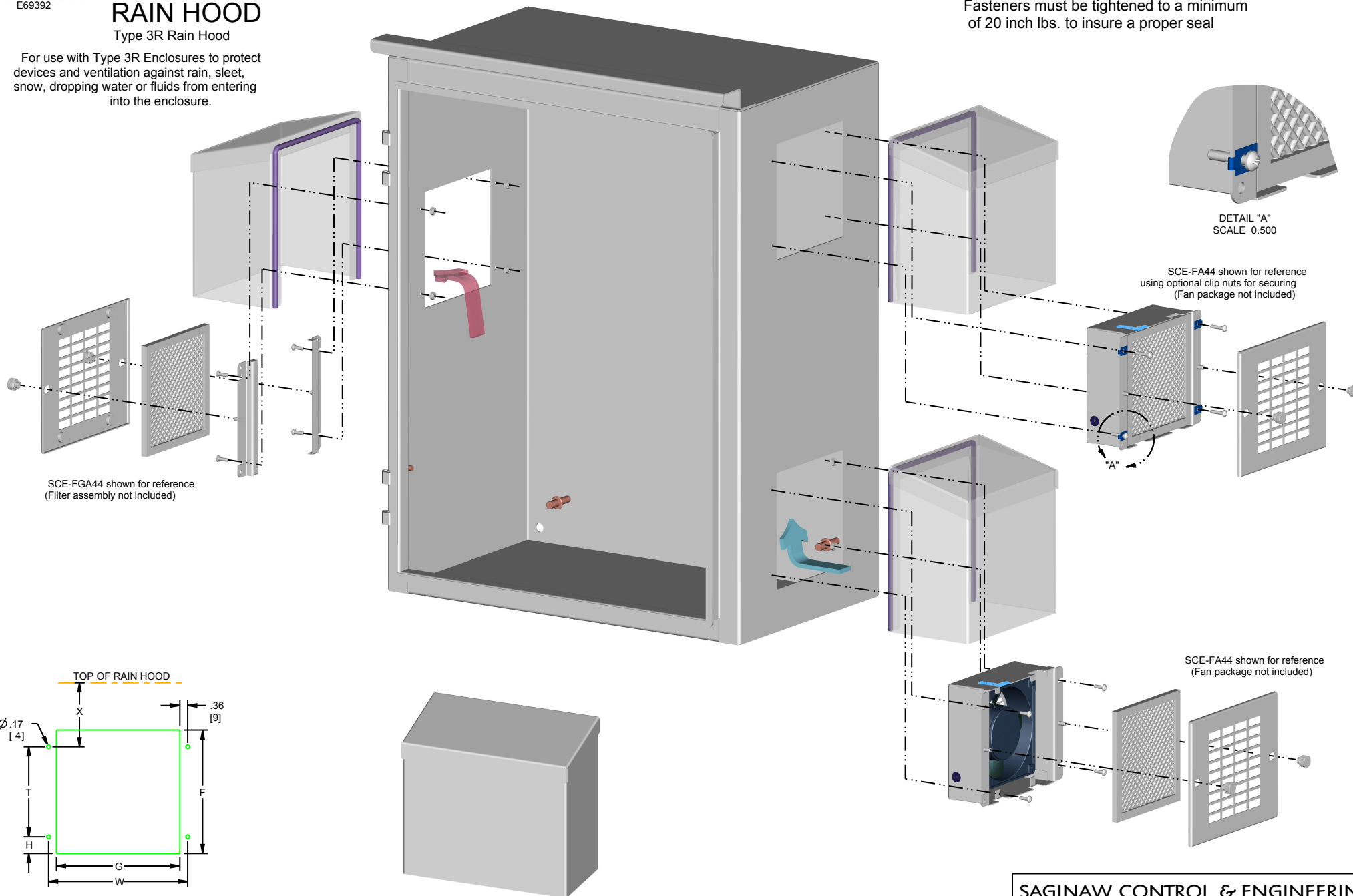


# RAIN HOOD

Type 3R Rain Hood

For use with Type 3R Enclosures to protect devices and ventilation against rain, sleet, snow, dropping water or fluids from entering into the enclosure.

Fasteners must be tightened to a minimum of 20 inch lbs. to insure a proper seal

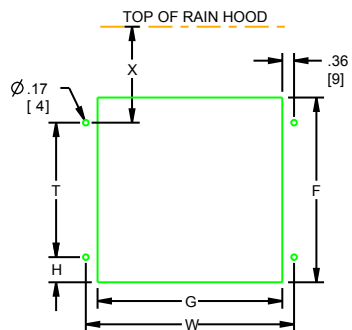


DETAIL "A"  
SCALE 0.500

SCE-FA44 shown for reference  
using optional clip nuts for securing  
(Fan package not included)

SCE-FGA44 shown for reference  
(Filter assembly not included)

SCE-FA44 shown for reference  
(Fan package not included)



DIMENSIONS FOR RAIN HOOD, FAN & FILTER CUTOUTS

RAIN HOOD PART NUMBER	COINCIDING FAN & FILTER	F	G	H	T	W	X
SCE-RH44	SCE-FA44	5.66	5.66	0.77	4.12	6.38	2.28
SCE-RH44SS	SCE-FGA44	[144]	[144]	[20]	[105]	[162]	[58]
SCE-RH66	SCE-FA66	7.16	7.16	1.33	4.50	7.88	2.28
SCE-RH66SS	SCE-FGA66	[182]	[182]	[34]	[114]	[200]	[58]
SCE-RH1010	SCE-FA1010	11.16	11.16	2.14	6.88	11.88	3.03
SCE-RH1010SS	SCE-FGA1010	[283]	[283]	[54]	[175]	[302]	[78]

TITLE: SPEC-RAIN-HOOD

REV: 0

INSTALLATION, RAIN HOOD

SHEET: 1 OF 1

**SAGINAW CONTROL & ENGINEERING**  
ISO 9001:2000 Certified Company



Your Enclosure Source®

Corporate Office:  
95 Midland Road  
Saginaw, Michigan 48638-5770  
(989) 799-6871  
Fax (989) 799-4524  
(800) 234-6871  
<http://www.saginawcontrol.com>  
E-mail: [sce@saginawcontrol.com](mailto:sce@saginawcontrol.com)