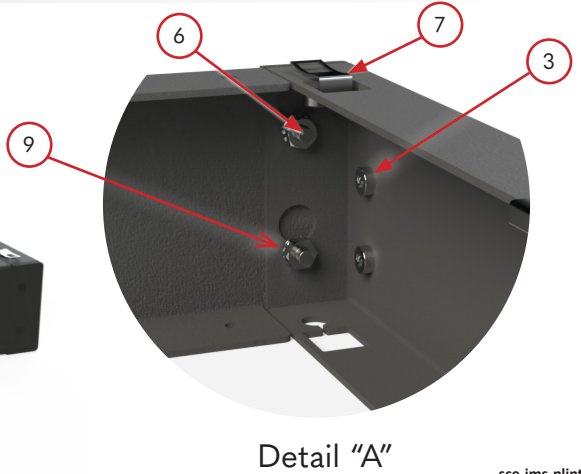
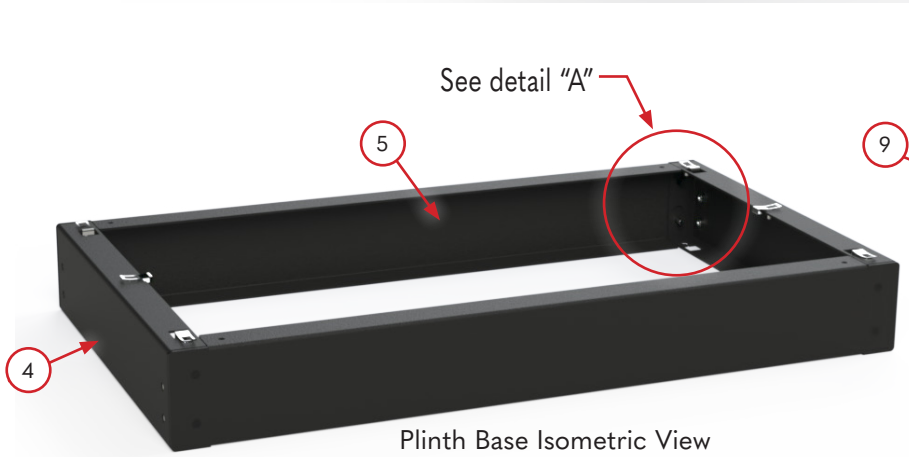
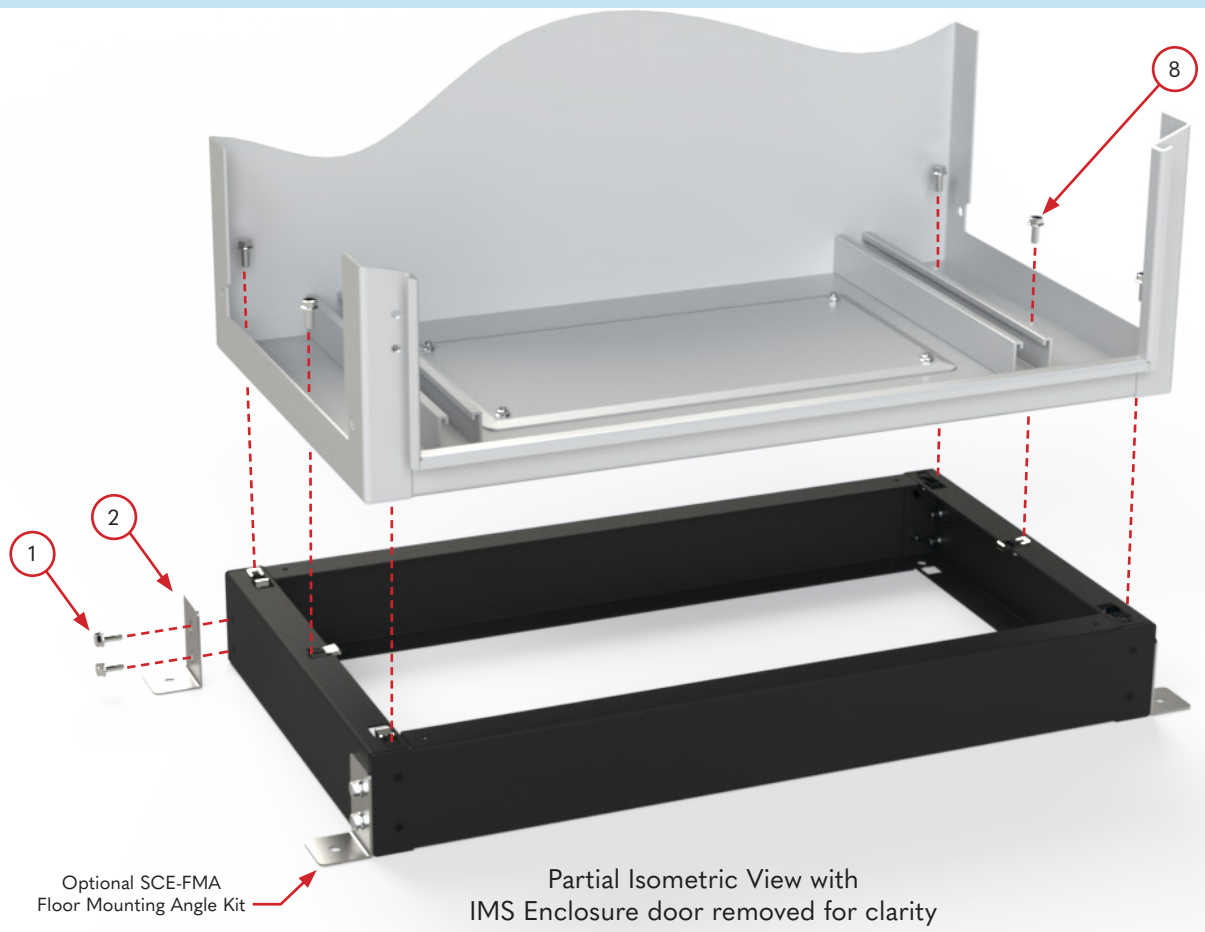


# IMS ENCLOSURE PLINTH BASE & SCE-FMA MOUNTING ANGLE KIT INSTALLATION



IMS Plinth Base Bill of Materials  
For Plinth Base Width of 800mm or Less

Index	QTY	Description
3	8	S-0420-2ZI_PEM_NUT_100028
4	2	IMS-PLINTH-BASE-SIDE-CHANNEL
5	2	IMS-PLINTH-BASE-FB-CHANNEL
6	8	FH-0420-10ZI_PEM_STUD_100064
7	6	5-16_18_STEEL_U-NUT_107043
8	6	5-16_18_3-4_FLANGED_BOLT_102496
9	8	1-4_20_SERRATED_FLNG_NUT_100882

IMS Plinth Base Bill of Materials  
For Plinth Base Width of 800mm to 1300mm

Index	QTY	Description
3	8	S-0420-2ZI_PEM_NUT_100028
4	2	IMS-PLINTH-BASE-SIDE-CHANNEL
5	2	IMS-PLINTH-BASE-FB-CHANNEL
6	8	FH-0420-10ZI_PEM_STUD_100064
7	8	5-16_18_STEEL_U-NUT_107043
8	8	5-16_18_3-4_FLANGED_BOLT_102496
9	8	1-4_20_SERRATED_FLNG_NUT_100882

IMS Plinth Base Bill of Materials  
For Plinth Base Width of 800mm to 1300mm

Index	QTY	Description
3	8	S-0420-2ZI_PEM_NUT_100028
4	2	IMS-PLINTH-BASE-SIDE-CHANNEL
5	2	IMS-PLINTH-BASE-FB-CHANNEL
6	8	FH-0420-10ZI_PEM_STUD_100064
7	10	5-16_18_STEEL_U-NUT_107043
8	10	5-16_18_3-4_FLANGED_BOLT_102496
9	8	1-4_20_SERRATED_FLNG_NUT_100882

SCE-FMA Mounting Kit Bill of Materials

Index	QTY	Description
1	8	1-4_20_3-4_FLANGED_SCREW_102528
2	4	IMS_FLOOR_MOUNTING_ANGLE



Your Enclosure Source®