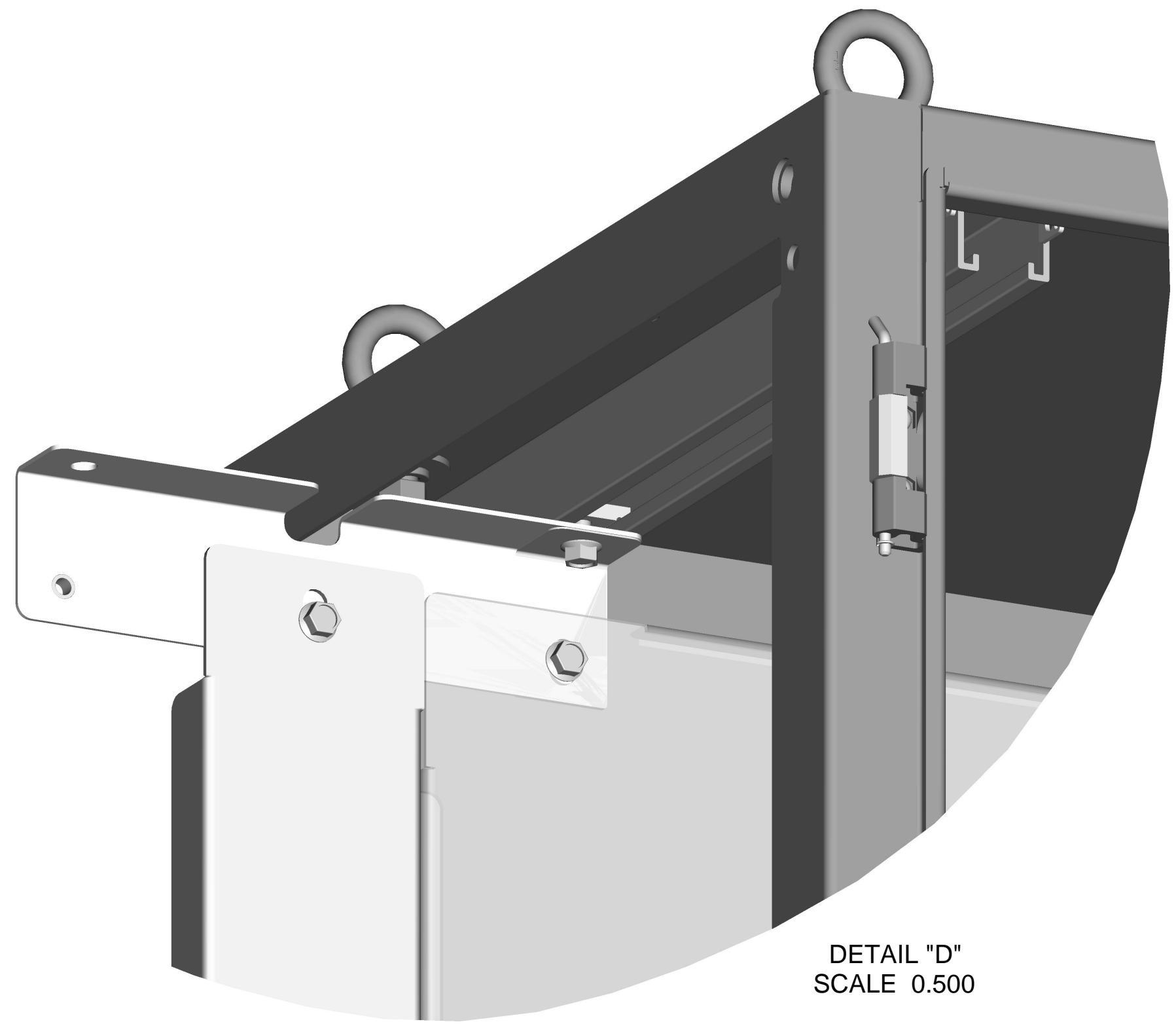
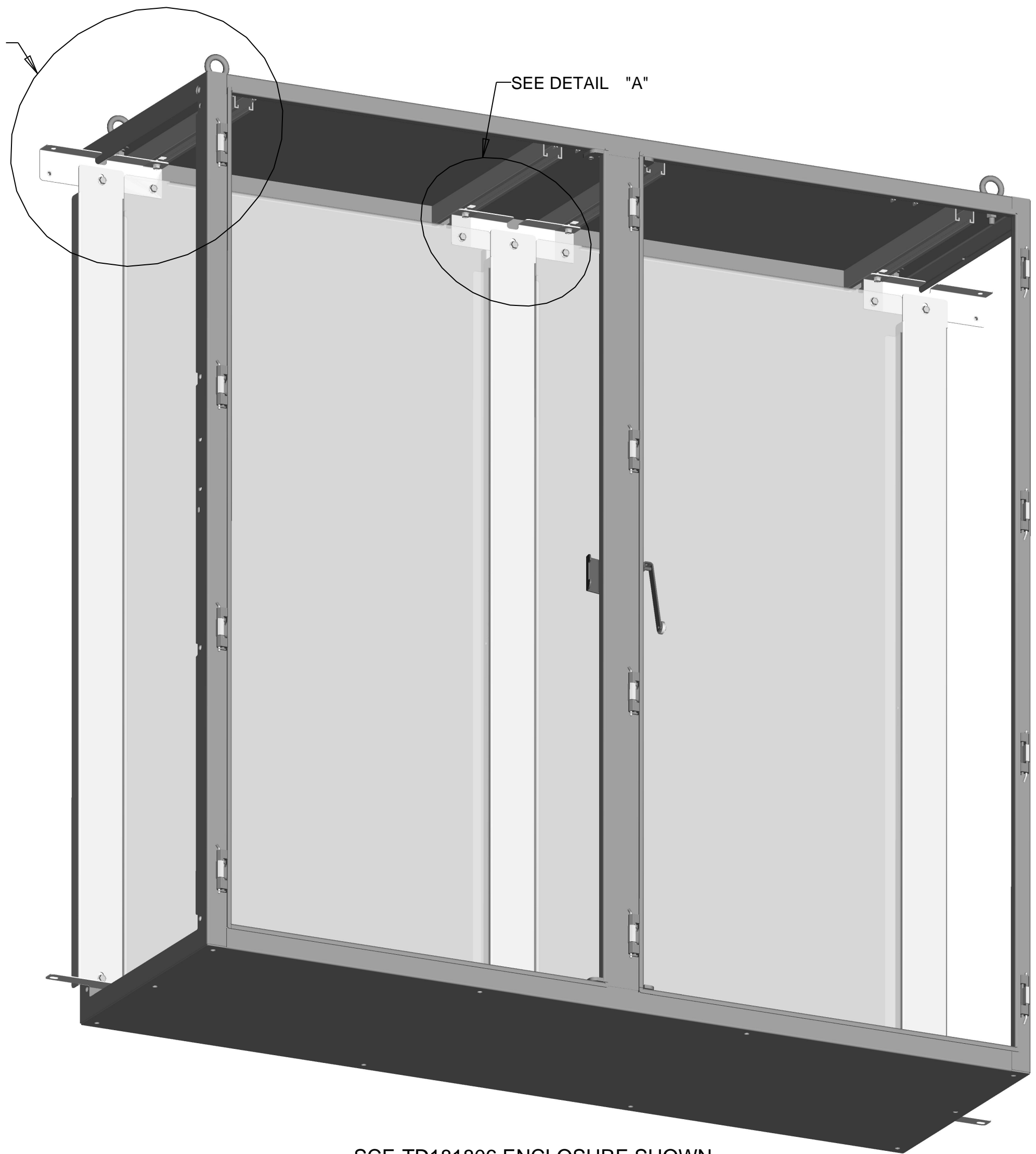


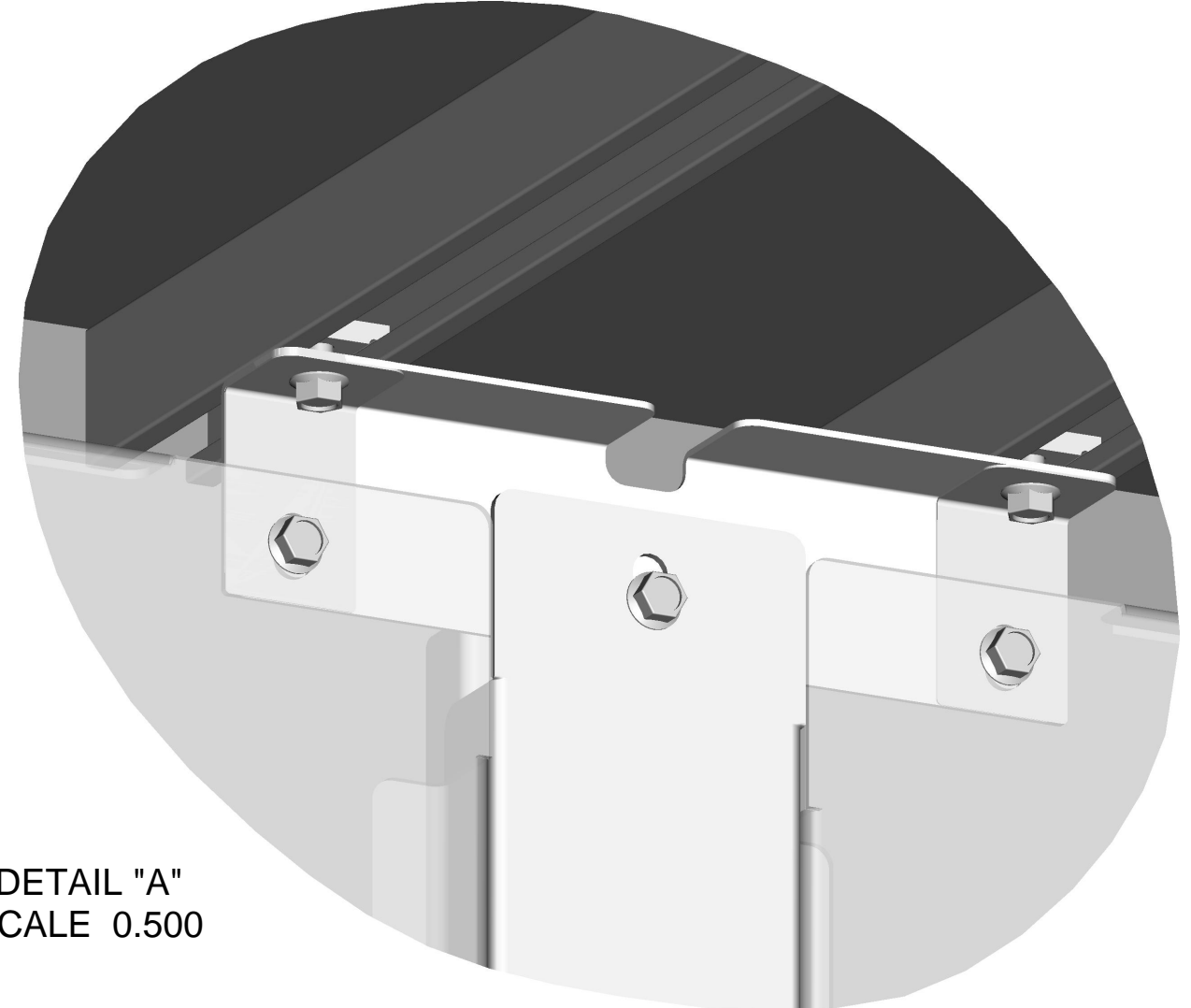
SCE-TD181806 ENCLOSURE SHOWN WITH THE DOORS REMOVED AND THE SUBPANELS TRANSPARENT FOR CLARITY



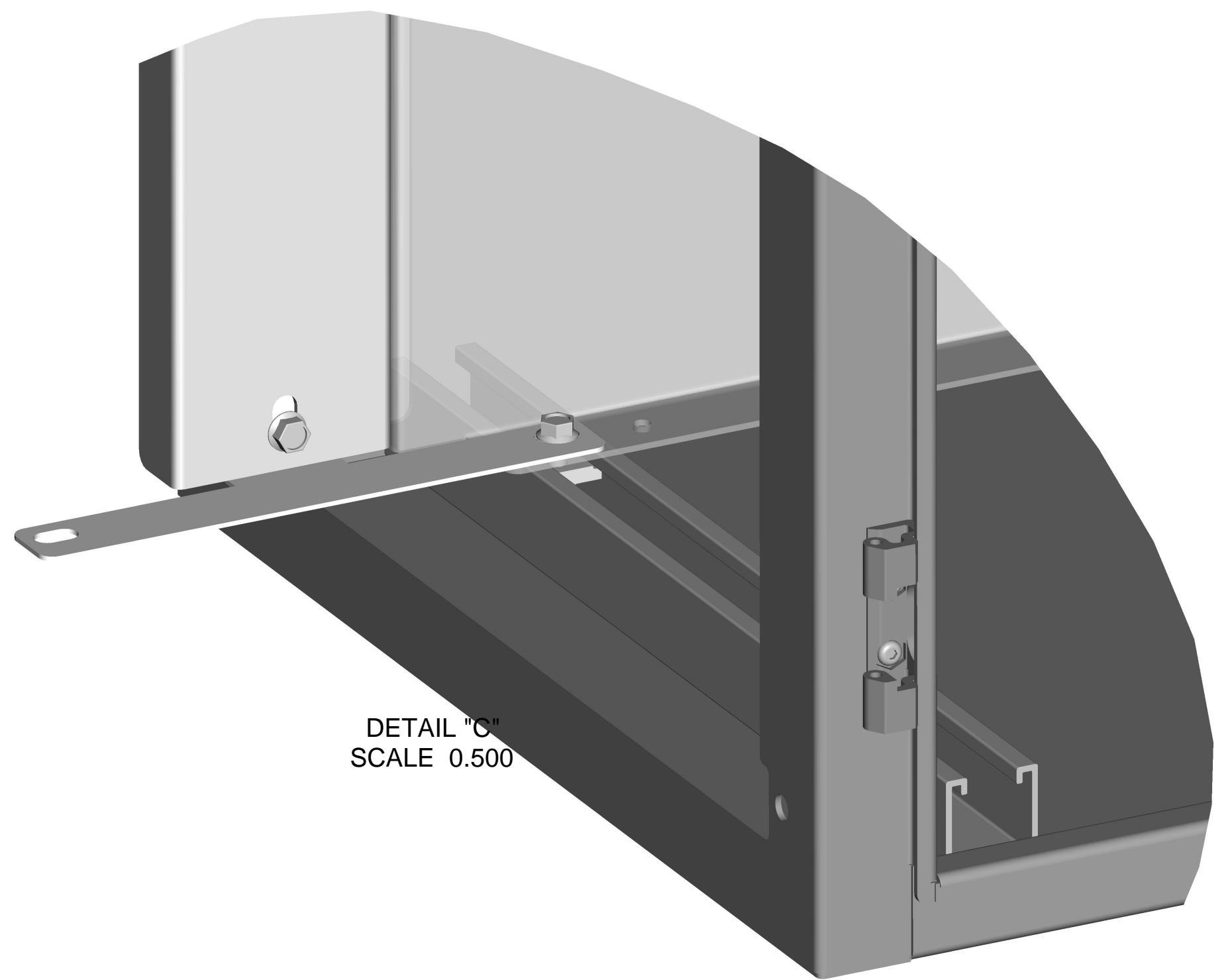
DETAIL "D"
SCALE 0.500



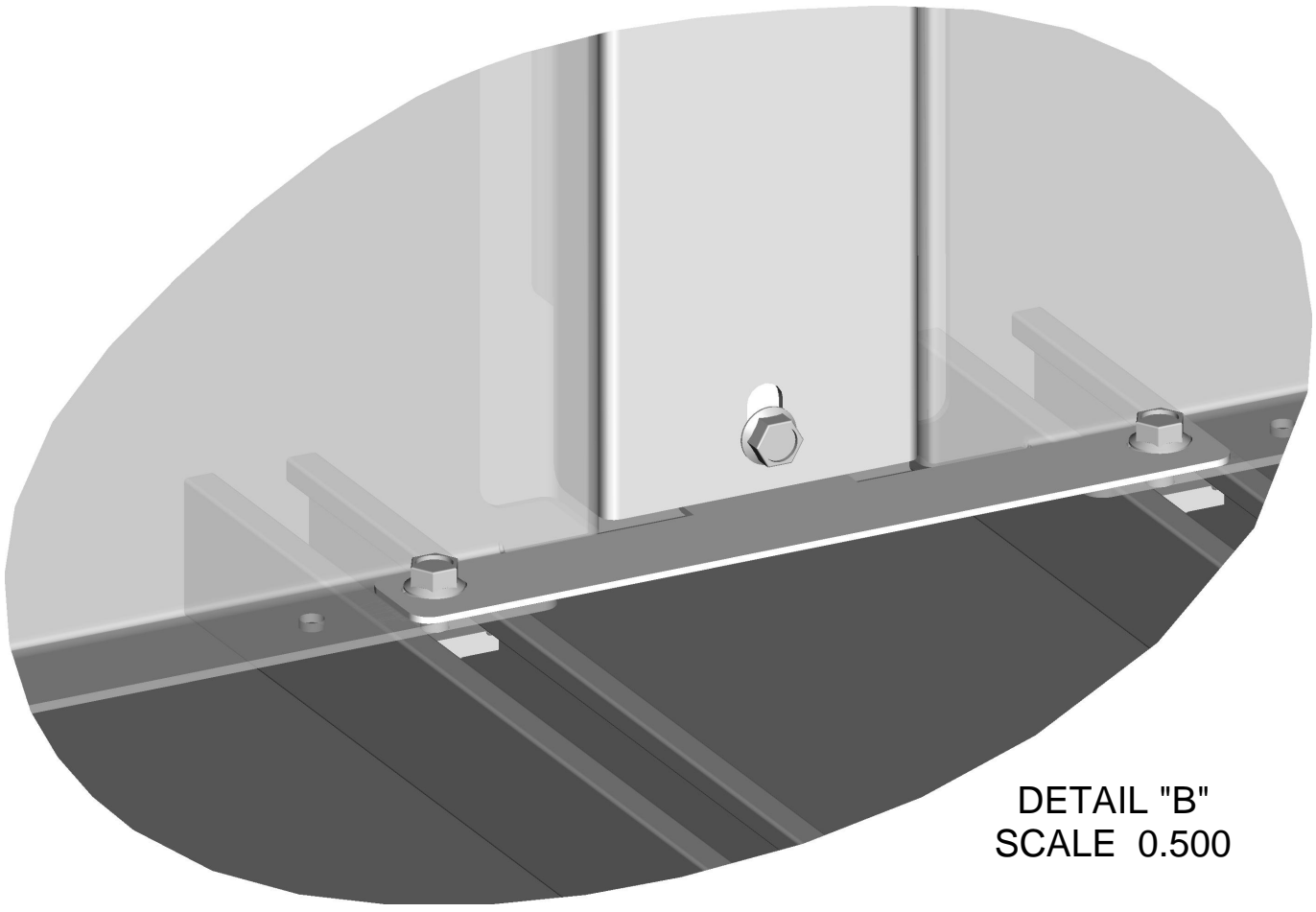
SCE-TD181806 ENCLOSURE SHOWN WITH THE DOORS REMOVED AND THE SUBPANELS TRANSPARENT FOR CLARITY



DETAIL "A"
SCALE 0.500



DETAIL "C"
SCALE 0.500



DETAIL "B"
SCALE 0.500

THE FILLER PLATE IS DESIGNED TO BE USED BETWEEN (2) SUBPANELS IN THE SAME ENCLOSURE, AS SHOWN IN DETAILS "A" AND "B" OR BETWEEN (2) ENCLOSURES BOLTED TOGETHER, AS SHOWN IN DETAILS "C" AND "D"

SCE-FP18G FILLER PLATE BILL OF MATERIALS		
INDEX	QTY	DESCRIPTION
4	1	IMS_ENCLOSURE_FILLER_PLATE
3	1	FILLER_PLATE_TOP_MTG_ANGLE
2	1	FILLER_PLATE_BOTTOM_MTG_ANGLE
1	2	5-16_18_3-4_FLANGED_BOLT_102496



SAGINAW CONTROL AND ENGINEERING
 95 Midland Road
 Saginaw, Michigan 48638
 Phone: (989) 799-6871
 Fax: (989) 799-4524
 sce@saginawcontrol.com

PART# **IMS ENCLOSURE FILLER PLATE INSTALLATION DRAWING**