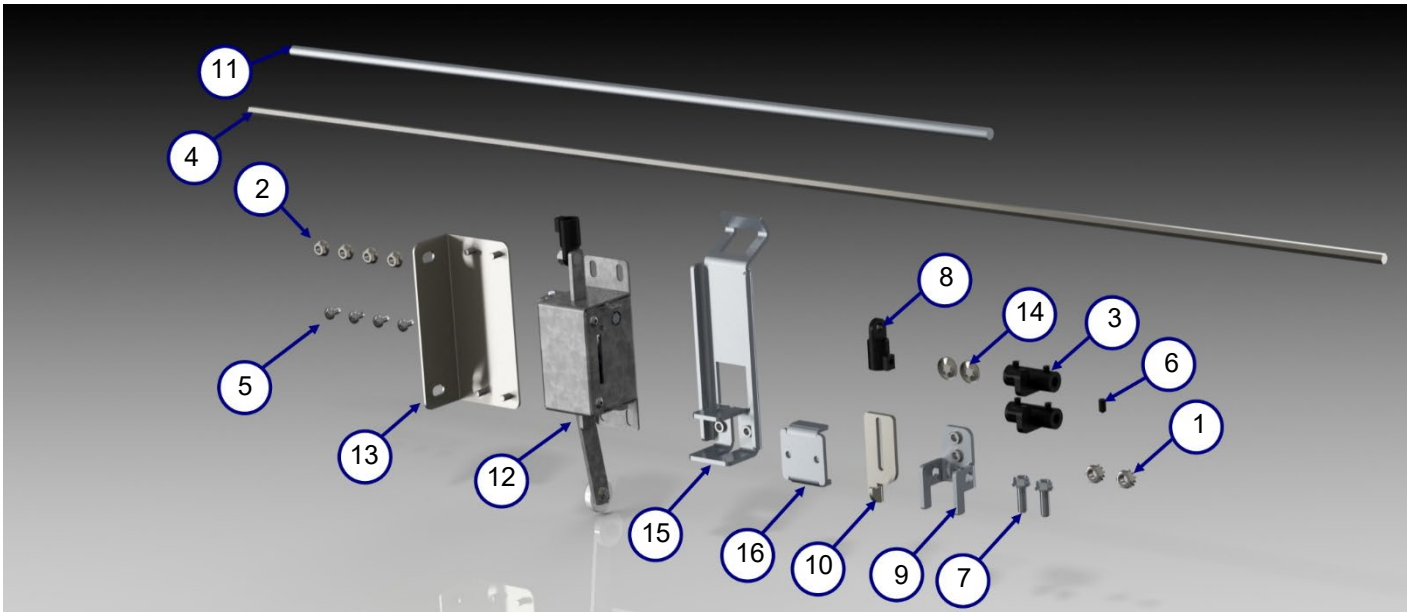
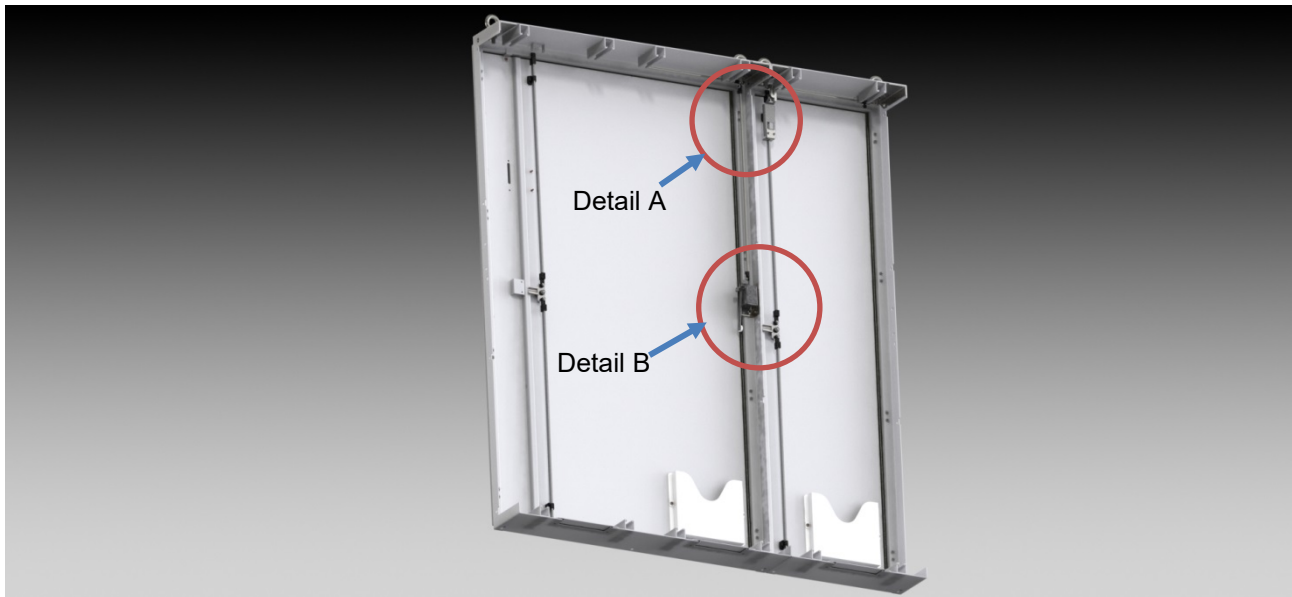


# SCE-MDMI INTERLOCK KIT

SCE-MDMI is an interlock kit designed for use on the main door of IMS single door enclosures.



Item	Qty	Description	Part #
1	2	Nut, Keps, 1/4-20, Steel, Zinc Clear	100877
2	4	Nut, Serrated Flange, 10-32, Steel, Zinc Clear Plated	100897
3	2	Mechanical Interlock 0.31 Horizontal Hex Rod Adapter w/2 Set Screws	101384
4	1	Hex Rod, 1/4 x 1/4 x 1/4 x 41.00", 6061-T6, Aluminum	101819
5	4	Screw, Round Head Phillips, 10-32 X 3/8", Steel, Zinc Clear	102479
6	1	Screw, Set, Socket Head, Cone Point, 10-32 X 3/8", Steel, Black	102482
7	2	Screw, Flanged, Hex Head, Slotted, 1/4-20 X 3/4", Steel, Zinc	102528
8	1	Adapter, 0.312 Round Rod, Zinc Die Cast, with Screw	102643
9	1	Overlapping Door Interlock Pivot Arm, 2.14 x 1.25 X 1.00, Steel, Zinc Clear	102677
10	1	Overlapping Door Adjustable Hook Arm 2.43 X 1.00 X 0.62 Steel, Zinc Clear	102679
11	1	Rod, Interlock, Round Bar, 0.312 dia. x 34.00", 6061-T6511, Aluminum	104257
12	1	Mech Interlock, for IMS Encl w/Door Hinged on Left	107966
13	1	Mech Interlock, Mounting Bracket For IMS, 5.00 x 2.44, Steel	110246
14	2	Adapter, Push Nut, 0.38" Diameter, Steel, Zinc Plated Clear	118570
15	1	Mechanical Interlock, Overlapping Door Catch, 6.69 x 2.00 x 2.00, Steel, Zinc	128368
16	1	Mechanical Interlock, OL Door Catch Retainer, 1.69 x 1.50 x 0.57, Steel, Zinc	128369



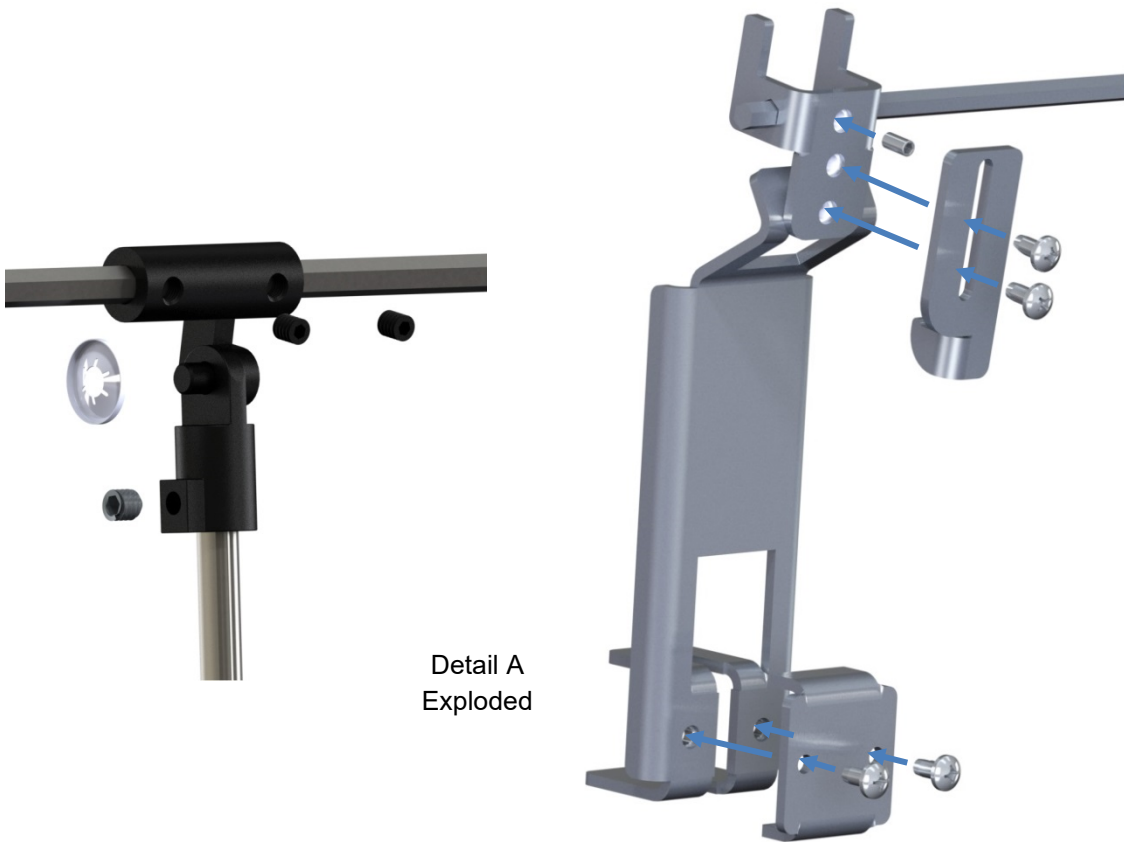
# SCE-MDMI INTERLOCK KIT



Detail A



Detail B



Detail A  
Exploded