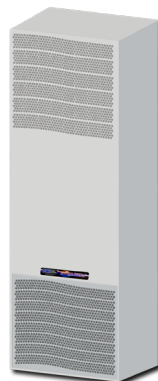




## User Manual SCE-AC6800B230V, SCE-AC6800B230VSS & SCE-AC6800B230VSS6

|                                          |       |
|------------------------------------------|-------|
| 1. User Manual .....                     | p. 2  |
| 2. Legal Regulations .....               | p. 2  |
| 3. Safety Instructions .....             | p. 3  |
| 4. Functional Principle .....            | p. 4  |
| 5. Technical Data.....                   | p. 5  |
| 6. Performance Graph .....               | p. 6  |
| 7. Mounting.....                         | p. 7  |
| 8. Mounting Principle .....              | p. 7  |
| 9. Cutout Dimensions .....               | p. 8  |
| 10. Dimensions (H x W x D) .....         | p. 8  |
| 11. Electrical Connection .....          | p. 9  |
| 12. Controller Programming .....         | p. 10 |
| 12A. IR33+ Controller .....              | p. 11 |
| 12B. PJS6 Controller .....               | p. 15 |
| 12C. DISP-1503 Controller .....          | p. 17 |
| 13. Wiring Diagram .....                 | p. 20 |
| 13A. IR33+ Wiring Diagram.....           | p. 20 |
| 13B. PJS6 Wiring Diagram.....            | p. 22 |
| 13C. DISP-1503 Wiring Diagram .....      | p. 24 |
| 14. Taking Into Operation .....          | p. 26 |
| 15. Repair.....                          | p. 26 |
| 16. Maintenance & Cleaning .....         | p. 27 |
| 17. Transport & Storage .....            | p. 27 |
| 18. Parts Supplied.....                  | p. 27 |
| 19. Warranty / Limits of Liability ..... | p. 28 |



## 1. User Manual

This instruction manual contains information and instructions to enable the user to work safely, correctly and economically on the unit. Understanding and adhering to the manual can help one:

- Avoid any dangers
- Reduce repair costs and stoppages
- Extend and improve the reliability and working life of the unit

**PLEASE ENSURE TO USE THE RIGHT VERSION OF THE INSTRUCTION MANUAL SUITABLE FOR YOUR UNIT**

### Conditions of Use

The unit is to be used exclusively for the dissipation of heat from control cabinets and enclosures in order to protect temperature sensitive components in an industrial environment. To meet the conditions of use, all the information and instructions in the instruction manual must be adhered to.



#### General Danger

Indicates compulsory safety regulations which are not covered by a specific pictogram such as one of the following.



#### High Electric Voltage

Indicates electric shock danger.



#### Important Safety Instruction

Indicates instructions for safe maintenance and operation of the unit.



#### Attention

Indicates possible burns from hot components.



#### Attention

Indicates possible damage to the unit.



#### Instruction

Indicates possible danger to the environment.

## 2. Legal Regulations

### Liability

The information, data and instructions contained in this instruction manual are current at the time of going to press. We reserve the right to make technical changes to the unit in the course of its development. Therefore, no claims can be accepted for previously delivered units based on the information, diagrams or descriptions contained in this manual. No liability can be accepted for damage and production caused by:

- Disregarding the instruction manual
- Operation error
- Inappropriate work on or with the unit
- The use of non-specified spare parts and accessories
- Unauthorized modifications or changes to the unit by the user or his personnel

Saginaw Control & Engineering is only liable for errors and omissions as outlined in the guarantee conditions contained in the main contractual agreement. Claims for damages on any grounds are excluded.

### 3. Safety Instructions

Upon delivery the unit is already meeting current technical standards therefore it can be safely taken into operation. Only trained specialists are allowed to work on the unit. Unauthorized personnel must be prohibited from working on the unit. Operating personnel must inform their superiors immediately if any malfunction of the unit becomes apparent.

Please note that before starting to work on or with the unit, a procedure must be carried out inside the cabinet on which the unit is to be mounted.

Before commencing work inside the cabinet, the control cabinet manufacturer's instruction must be read with regards to:

- Safety instructions
- Instructions on taking the cabinet out of operation
- Instructions on the prevention of unauthorized cabinet reconnection

The electric equipment meets the valid safety regulations. One can find dangerous voltage (above 50V AC or above 100V DC):

- Behind the control cabinet doors
- On the power supply in the unit housing

The units have to be fused according to the type plate and the wiring diagram. Switch the unit **off** immediately if the electric power supply is interrupted.



#### **Danger Through Incorrect Work on the Unit**

Only specialized personnel are allowed to maintain and clean the unit. Regular maintenance and cleaning must be kept in order to ensure that the unit remains in perfect working condition and has a long working life.



#### **Danger from Electric Voltage**

Only specialized personnel are allowed to maintain and clean the unit. The personnel must ensure that for the duration of the maintenance and cleaning, the unit is disconnected from the electrical supply.



#### **Attention**

Damage to the unit through the use of inappropriate cleaning materials. Please do not use aggressive cleaning material.



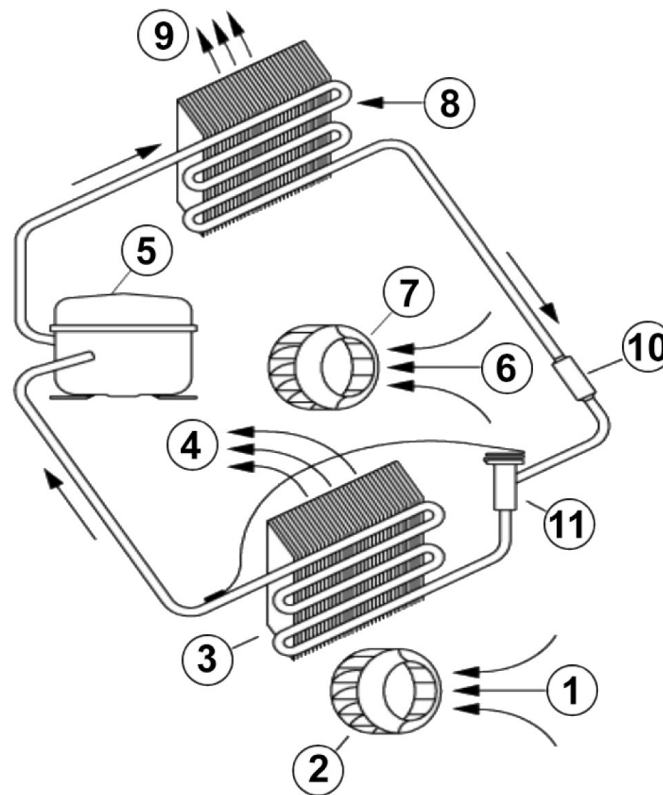
#### **Instruction**

Damage to the environment through unauthorized disposal. All spare parts and associated material must be disposed of according to the environmental laws.

## 4. Functional Principle

The unit functions on the principle of the compression refrigerator. The main components are: refrigerant compressor, condenser, choke and evaporator. These four components of the refrigerant plant are connected with each other by pipes to form a hermetically sealed system in which the refrigerant (R134a) circulates.

1. Air Intake, Cabinet Side
2. Radial Fan, Cabinet Side
3. Evaporator
4. Air Outlet, Cabinet Side
5. Compressor
6. Air Intake, Ambient Side
7. Radial Fan, Ambient Side
8. Condenser
9. Air Outlet, Ambient Side
10. Filter Dryer
11. Expansion Valve



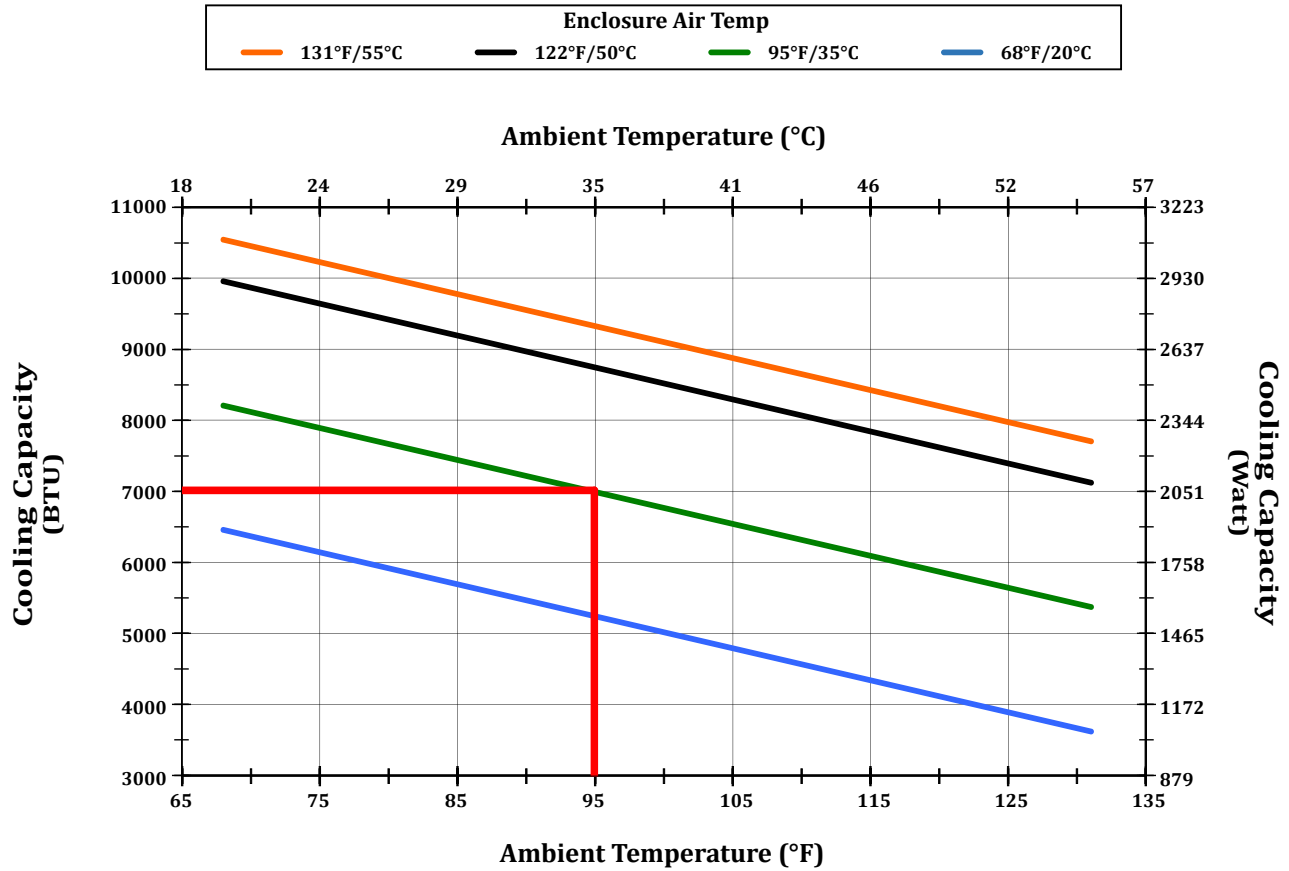
## 5. Technical Data

|                                                  |                                                                                            |
|--------------------------------------------------|--------------------------------------------------------------------------------------------|
| Part Numbers                                     | SCE-AC6800B230V<br>SCE-AC6800B230VSS<br>SCE-AC6800B230VSS6                                 |
| Cooling Capacity @ 95°F / 95°F                   | 6800 BTU (1992 Watts)                                                                      |
| Cooling Capacity @ 131°F / 131°F                 | 7710 BTU (2259 Watts)                                                                      |
| Heating Capacity                                 | 1000 W                                                                                     |
| Compressor                                       | Rotary Compressor                                                                          |
| Refrigerant                                      | R134a                                                                                      |
| Refrigerant Charge                               | 17.00 oz                                                                                   |
| Max. Pressure                                    | 377 psig                                                                                   |
| Operating Temperature Range                      | -4°F - 131°F                                                                               |
| Max. Air Volume Flow                             | Ambient Air Circuit: 385 cfm<br>Cabinet Air Circuit: 235 cfm                               |
| Mounting                                         | External                                                                                   |
| Housing Material                                 | Mild Steel, Powder Coated<br>SS: Stainless Steel AISI 304<br>SS6: Stainless Steel AISI 316 |
| Dimensions (H x W x D)                           | 45.28 x 15.55 x 10.63 inch                                                                 |
| Weight                                           | 109 lbs                                                                                    |
| Cutout Dimensions                                | 12.40 x 10.40 inch<br>12.40 x 8.30 inch                                                    |
| Rated Operating Voltage / Frequency              | 230 V - 50/60 Hz                                                                           |
| Rated Current @ 95°F / 95°F                      | 5.5 A                                                                                      |
| Starting Current                                 | 16 A                                                                                       |
| Max. Current                                     | 8.6 A                                                                                      |
| Power Consumption @ 95°F / 95°F                  | 1.17 kW                                                                                    |
| Max. Power Consumption                           | 1.65 kW                                                                                    |
| Fuse Rating                                      | 14A (T) - Time Delayed [Slow Acting]                                                       |
| SCCR                                             | 5kA                                                                                        |
| Transformer Inrush 120A 0.01 Sec. on 120V & 460V | Unit Class CC fuse / Class C Breaker Not Recommended                                       |
| Circuit Breaker - MCB Type D or K Slow Acting    | 13A Slow Acting                                                                            |
| Connection                                       | Connection Terminal Block                                                                  |
| NEMA Protection Class                            | NEMA 3, 3R, 4 & 12<br>SS: NEMA 3, 3R, 4, 4X & 12                                           |
| Approvals                                        | CE / cURus / UL Listed                                                                     |
| Industry Standards                               | IS19<br>SS: IS20                                                                           |
| Sound Level at 1.5 meters                        | 70 db(A)                                                                                   |
| Max Voltage at Door Switch                       | 5 A DC                                                                                     |

## 6. Performance Graph

### Enviro-Therm® Air Conditioners 6800 BTU/HR (1992 Watts) Performance Curve

SCE-AC6800B230V, SCE-AC6800B120V, SCE-AC6800B460V3  
 SCE-AC6800B230VSS, SCE-AC6800B120VSS, SCE-AC6800B460V3SS  
 SCE-AC6800B230VSS6, SCE-AC6800B120VSS6, SCE-AC6800B460V3SS6





## 7. Mounting

**Always disconnect the power supply before opening the unit.**

Heat load to be dissipated from enclosure should not exceed specific cooling output of the unit at any condition. When selecting a cooling unit, always allow for a safety margin of at least 15% extra cooling output in the worst conditions. Air inlets and outlets must be completely free from obstruction.

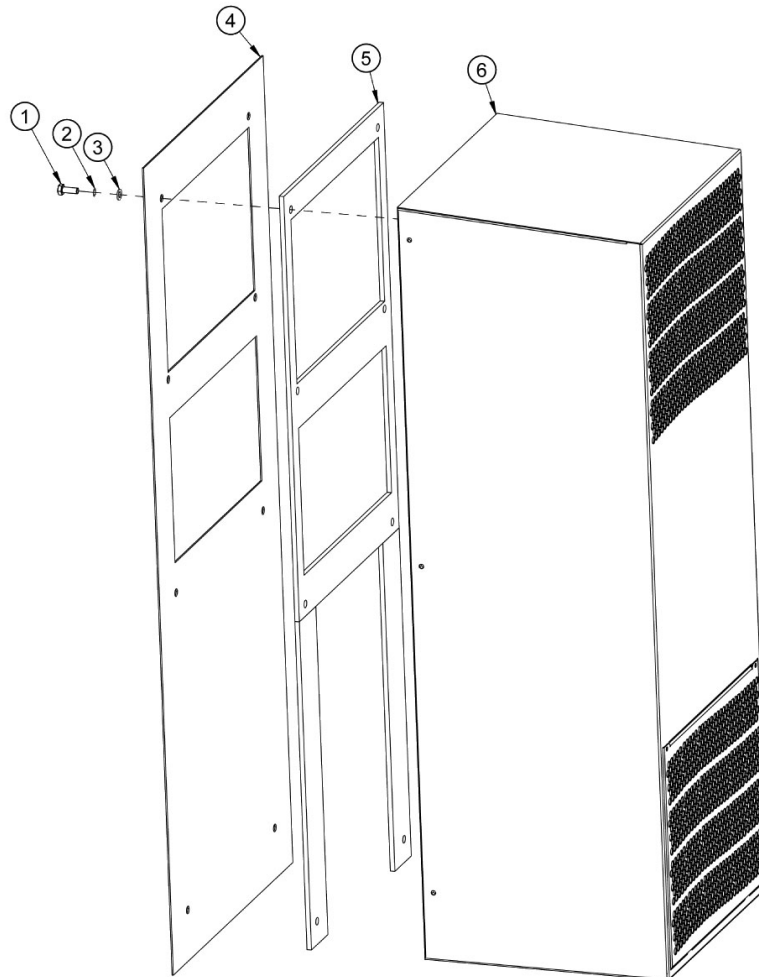
Ensure that flows of air leaving and entering the cooling unit, internal and external, are not obstructed. Cooling unit enclosure air suction hole must be installed at the highest possible point. When installing the unit on a door ensure it can take the weight.

Before drilling the enclosure, ensure the fixing elements and couplings will not interfere with the equipment inside the enclosure itself. Disconnect power before starting any work inside the enclosure. Following this 1:1 Scale Drilling Template, drill the holes and make the required cuts on the enclosure. This template may have been affected by storage conditions, please check this template by verifying values of the largest dimensions before drilling. Fit the sealing strip to the cooling unit on the side connected to the enclosure and follow the installation diagram.

## 8. Mounting Principle



- Do not use within the first 15 minutes after installation!
- Use only the supplied mounting hardware.
- Tighten fasteners to 40 inch lb.
- Ensure the mounting surface does not warp after assembly and reinforce it if necessary.

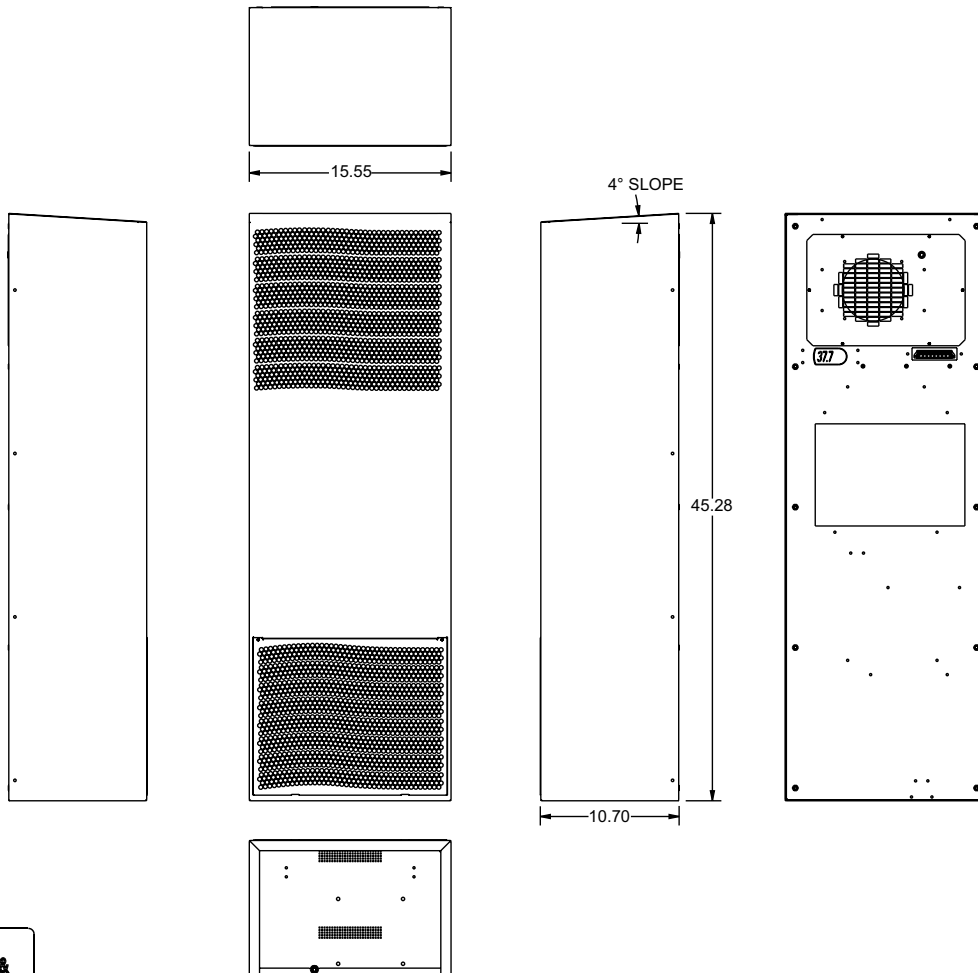


1. M6 Bolts
2. M6 Toothed Washers
3. M6 Flat Washers
4. Enclosure
5. Mounting Gasket
6. Cooling Unit

### 9. Cutout Dimensions



### 10. Dimensions (H x W x D)





## 11. Electrical Connection

The cooling unit is used where heat needs to be dissipated from electrical control cabinets or similar enclosures in order to protect heat sensitive components. The unit has two completely separate air circuits which ensure that the clean cabinet air does not come into contact with the ambient air which may well be dirty or polluted. Control cabinet air conditioners can dissipate large quantities of heat from sealed enclosures, such as control cabinets, into the ambient air and at the same time reduce the cabinet internal temperature to below that of the ambient air.

The control cabinet air conditioner can function without problems in extreme ambient conditions (e.g. dusty and oily air) with a standard operating temperature ranging between -4°F and 131°F. The stated cooling capacities are according to DIN 3168.

### Door Switch

The unit can be switched on and off via a door contact switch. When delivered the door contact terminals are bridged on the female connector. To connect the door contact switch remove the bridge and connect door contact switch. The contact must be closed when the cabinet door is closed.

## 12. Controller Programming

There are variations of controllers with this unit. The options are as followed variation A, IR33+ controller, variation B, PJS6 controller, and variation C, DISP-1503 controller. Please find the controller on your unit and proceed to the corresponding section.



**Variation A IR33+**



**Variation B PJS6**



**Variation C DISP-1503**

## 12A. IR33+ Controller

The cooling unit is intended to be used as a complementary accessory to larger industrial equipment. The unit is used where heat needs to be dissipated from electrical control cabinets or similar enclosures in order to protect heat sensitive components. It is not intended for household use. The unit has two completely separate air circuits which ensure that the clean cabinet air does not come into contact with the ambient air which may well be dirty or polluted. Enclosure cooling units can dissipate large quantities of heat from sealed enclosures such as electrical enclosures into the ambient air and at the same time reduce the cabinet internal temperature to below that of the ambient air.

The unit can function without problems in extreme ambient conditions (e.g. dusty and oily air) with a standard operating temperature ranging between +10°C and +55°C. Units can be ordered with an additional electrical cabinet heater. For the cooling capacities and environmental ratings please refer to the type plate data.

### Controller



The display shows the temperature in the range of -50°C to +150°C (-58°F to +302°F). The temperature is displayed with resolution of tenths between -19.9° and +99.9°.

During programming, it shows the codes and values of the parameters. The display also shows icons according to occurring events.

### Display icons

| Icon | Function                    | Description                                                                                                              |
|------|-----------------------------|--------------------------------------------------------------------------------------------------------------------------|
| 1    | Compressor relay active     |                                                                                                                          |
| 2    | Alarm relay active          | Flashes when activation is delayed or inhibited by protection times, external disabling, or other procedures in progress |
| 3    | Heater relay active         |                                                                                                                          |
| 4    | Ambient blower relay active |                                                                                                                          |
|      | Alarm                       | Flashes when alarms are active                                                                                           |
|      | Heating mode                | Signals operation of unit in heating mode                                                                                |
|      | Cooling mode in progress    | Activated only by manual procedure                                                                                       |

### Programming

The operating parameters can be modified using the front keypad. Access differs depending on the type of parameter. Access to configuration parameters is protected by a password that prevents unwanted modifications or access by unauthorized persons.

*Setting cooling set point, St1:*

1. Press and hold "SET" until the display shows St1. Once released the pre-set value of St1 will appear. (default: +35°C / +95°F)
2. Reach the desired value by using ▲ or ▼.
3. Press "SET" again to save the new value of St1.

*Setting heating set point, St2 (only for units supplied with internal heater):*

1. Press "SET" twice slowly and display should show St2 and then the pre-set value of St2. (default: +5°C / +41°F)
2. Reach the desired value by using ▲ or ▼.
3. Press "SET" again to save the new value of St2.

*Setting temperature units (°C / °F), low temperature alarm and high temperature alarm:*

1. Press "PRG" button for 5 seconds to reach the modifiable parameter list.
2. Use ▲ or ▼ to reach the desired parameter:
  - C18 for temperature unit of measure
  - °C = 0
  - °F = 1
  - P25 for low temperature alarm threshold (default -10°C / +14°F)
  - P26 for high temperature alarm threshold (default +55°C / +131°F)
3. Press "SET" on the desired parameter to display the current value.
4. Use ▲ or ▼ to reach the desired value.
5. Pressing "SET" temporarily saves the new value and returns to the parameters list.
6. Repeat steps 2-5 to set other parameters.
7. Press "PRG" for 5 seconds to permanently save the new values.

### Test Function

Different test functions can be used depending on the combination of keys pressed. Such tests run for the duration of 4 minutes.

- “SET+▲” tests Compressor and Ambient Blower relays.
- “SET+▼” tests Alarms and Heater relays

### Alarm Relay Function

Both normally closed (NC) and normally open (NO) alarm contacts are provided. These refer to the alarm state. Under normal conditions, the NC contact is closed and the NO contact is open. When an alarm condition is present or the door contact is open, the NC contact will open and the NO contact will close. System power failure will give an alarm condition.

| State                                                    | Alarm Relay | Display |
|----------------------------------------------------------|-------------|---------|
| 1 System powered OFF                                     |             |         |
| 2 System powered ON<br>-NO ALARM<br>-Door Contact Closed |             |         |
| 3 System powered ON<br>-Door Contact Open                |             |         |
| 4 System powered ON<br>-ALARM STATE                      |             |         |

#### Notes:

State 2: Additional icons (1,3,4, Reverse, Direct, Test) depending on operation.

State 3: The display shows “OFF” alternating with the standard display.

State 4: The display shows “EXX” alternating with the standard display – at the same time, the alarm icon flashes.

Failure table:

The display shows either "OFF" or "EXX" with an icon flashing (triangle), alternating with the standard display. If more than one error occurs, these are shown in sequence on the display.



| Failure Code | Description                              | Solution                                                                                                                                                                                               |
|--------------|------------------------------------------|--------------------------------------------------------------------------------------------------------------------------------------------------------------------------------------------------------|
| OFF          | Door open                                | Close the enclosure door and check the door contact switch. If no door contact switch is used and c68=0, bridge terminals on power connector.                                                          |
|              | Incorrect phase sequence (3-phase units) | Displayed on power-up. Check phase sequence.                                                                                                                                                           |
| E01          | Failure internal temperature sensor      | Check probe connections.                                                                                                                                                                               |
| E02          | Failure ambient temperature sensor       | Check probe connections.                                                                                                                                                                               |
| E04          | High temperature alarm                   | The measured temperature has exceeded the threshold P26. Check rating of the cooling unit. Clean air filters, condenser; check fans' and compressor's correct operation. Contact your service partner. |
| E05          | Low temperature alarm                    | The measured temperature has fallen below the threshold P25.                                                                                                                                           |
| E07 / E08    | Controller error                         | Contact your service partner.                                                                                                                                                                          |

Typical alarm codes:

#### Error Code Description

|     |                        |
|-----|------------------------|
| E01 | Probe B1 fault         |
| E02 | Probe B2 fault         |
| E04 | High temperature alarm |
| E05 | Low temperature alarm  |

#### Important Notes

- Whilst programming, if no button is pressed for 10 seconds, the display starts flashing, and after 1 minute returns to the main display without saving changes.
- To increase scrolling speed, press and hold the ▲ or ▼ button for at least 5 seconds.
- When pressing "PRG" for 3 seconds, the firmware revision code is displayed for 2 seconds.
- When cleaning the controller panel, do not use ethanol, hydrocarbons, ammonia or their by products. Use neutral detergents and water.
- In order to protect the unit's components, minimum relay output on (3 or 7 minutes) and off (4 minutes) times and minimum time (7 or 11 minutes) between activation of the same relay output are applied.
- In case of digital inputs not configured, probes not fitted or configured, or St2 not enabled on the controller the display shows 'nO'.

## 12B. PJS6 Controller

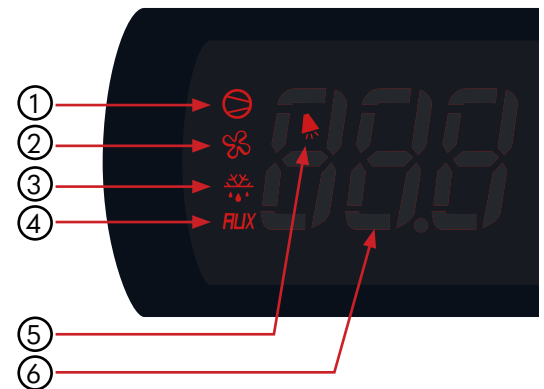
The cooling unit is intended to be used as a complementary accessory to larger industrial equipment. The unit is used where heat needs to be dissipated from electrical control cabinets or similar enclosures in order to protect heat sensitive components. It is not intended for household use. The unit has two completely separate air circuits which ensure that the clean cabinet air does not come into contact with the ambient air which may well be dirty or polluted. Enclosure cooling units can dissipate large quantities of heat from sealed enclosures such as electrical enclosures into the ambient air and at the same time reduce the cabinet internal temperature to below that of the ambient air.



The unit is equipped with a temperature controller which regulates the function of the air-conditioning cycle. At normal working conditions the display shows the temperature inside the enclosure. The cooling set point for the interior of the enclosure (parameter St / St1) is pre-set at 35°C and can be adjusted between 20°C and 50°C

### Display Icons

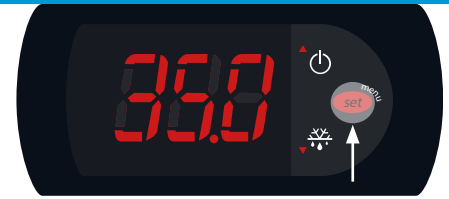
| Icon | Function               | Description                                                                                                            |
|------|------------------------|------------------------------------------------------------------------------------------------------------------------|
| 1    | Cooling relay active   | Flashes when activation is delayed or inhibited by protection times external disabling or other procedures in progress |
| 2    | Fan relay active       |                                                                                                                        |
| 3    | Heating relay active   |                                                                                                                        |
| 4    | Auxiliary relay active | Shows alarm relay output                                                                                               |
| 5    | Alarm indicator        | Signals that an alarm is present                                                                                       |
| 6    | Digital display        |                                                                                                                        |



### Programming

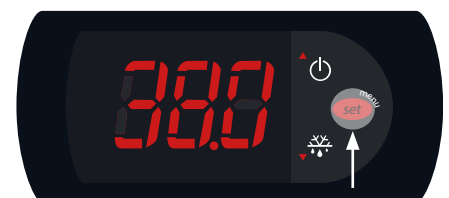
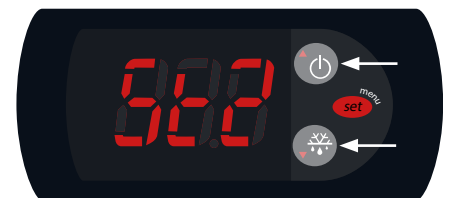
To change the cooling set point 'St' or 'St1':

1. Press 'Set' till 'St/St1' appears on the display
2. Press the 'Up' or 'Down' buttons to adjust the temperature setting
3. Press 'Set' to save the new setting



To change the heating set point St2 (for units with internal heater only):

1. Press 'Set' till St1 appears on the display and release the button
2. Press again 'Set' till St2 appears on the display
3. Press the 'Up' or 'Down' buttons to adjust the temperature
4. Press 'Set' to save the new setting



### Important Note:

When changing settings ensure that:  $(St2 + 5K) < St1$

The unit also has a potential free high temperature alarm relay that is pre-set to switch when the enclosure temperature exceeds 55°C.

For this controller, the temperature alarm setpoint and the temperature unit parameters are not accessible to the user



## 12C. DISP-1503 Controller

The cooling unit is intended to be used as a complementary accessory to larger industrial equipment. The unit is used where heat needs to be dissipated from electrical control cabinets or similar enclosures in order to protect heat sensitive components. It is not intended for household use. The unit has two completely separate air circuits which ensure that the clean cabinet air does not come into contact with the ambient air which may well be dirty or polluted. Enclosure cooling units can dissipate large quantities of heat from sealed enclosures such as electrical enclosures into the ambient air and at the same time reduce the cabinet internal temperature to below that of the ambient air.

The unit can function without problems in extreme ambient conditions (e.g. dusty and oily air) with a standard operating temperature ranging between +10°C and +55°C (+50°F and +131°F). Units can be ordered with an additional electrical cabinet heater. For the cooling capacities and environmental ratings please refer to the type plate data.



### Buttons

- Menu
- Set
- Up
- Down

### LED Functions

- Blue LED: Steady On - Cooling mode
- Blue LED: Blinking - min. comp. off time not elapsed
- Red LED: Blinking - Alarm

The display shows the temperature in the range of -30°C to +110°C (-22°F and +230°F). The temperature is displayed with a resolution of 0.1° between -9.9° and +110°, and 1° between -30° and -10°. On start-up, the screen shows the unit's internal temperature and this is considered the Home Menu of the controller.

### Programming Quick Reference

| Description               | Input                                                                                                                                                                                                                                                          |
|---------------------------|----------------------------------------------------------------------------------------------------------------------------------------------------------------------------------------------------------------------------------------------------------------|
| Test Function             | Press <input type="triangle-up"/> and <input type="triangle-down"/> simultaneously for 3 seconds                                                                                                                                                               |
| Change Cooling Setpoint   | Press <input type="checkbox"/> and then <input type="triangle-up"/> or <input type="triangle-down"/> to go to Ct_S<br>Press <input type="triangle-up"/> or <input type="triangle-down"/> to desired set point<br>Press <input type="radio"/> to lock set point |
| Change High Alarm         | Press <input type="checkbox"/> and then <input type="triangle-up"/> or <input type="triangle-down"/> to go to HA_S<br>Press <input type="triangle-up"/> or <input type="triangle-down"/> to desired set point<br>Press <input type="radio"/> to lock set point |
| Change Celsius/Fahrenheit | Press <input type="checkbox"/> and then <input type="triangle-up"/> or <input type="triangle-down"/> to go to C_F<br>Press <input type="triangle-up"/> or <input type="triangle-down"/> to desired set point<br>Press <input type="radio"/> to lock set point  |
| Change Heating Setpoint   | Press <input type="checkbox"/> and then <input type="triangle-up"/> or <input type="triangle-down"/> to go to Ht_S<br>Press <input type="triangle-up"/> or <input type="triangle-down"/> to desired set point<br>Press <input type="radio"/> to lock set point |
| Change Low Alarm          | Press <input type="checkbox"/> and then <input type="triangle-up"/> or <input type="triangle-down"/> to go to LA_S<br>Press <input type="triangle-up"/> or <input type="triangle-down"/> to desired set point<br>Press <input type="radio"/> to lock set point |

### I) Operations from Home Screen

- Pressing  $\triangle$  or  $\nabla$  for 1 second will go to Menu 1. This will show the status of DI1, DI2, S1, S2 and Onboard Sensor. Pressing  $\nabla$  or  $\triangle$  will toggle between sensors/digital inputs.
- Pressing  $\square$  will go to Menu 2.
- Any Alarms will appear on the Home Screen.
- If the Door Contact is Open, the Home Screen will show an OFF status.
- Pressing  $\triangle$  and  $\nabla$  simultaneously for 3 seconds will start Test Mode.

### II) Operations from inside the Menus

- Pressing  $\square$  from any menu will return to the Home Screen.
- Pressing  $\circ$  while in Menus 2/2 shows the parameter value.
- Pressing  $\circ$  for 3 seconds while showing a parameter, will save the parameter.
- Pressing  $\square$  while showing a parameter, will return to the respective menu.

All parameters are sorted in 2 separate menus below

#### Menu 1

| Parameter | Description             | Range                |
|-----------|-------------------------|----------------------|
| Sbrd      | Onboard Sensor Reading  | -                    |
| S1        | S1 Sensor Reading       | -                    |
| S2        | S2 Sensor Reading       | -                    |
| d1        | Digital Input 1 Reading | 0: Open<br>1: Closed |
| d2        | Digital Input 2 Reading | 0: Open<br>1: Closed |

#### Menu 2

| Parameter | Description          | Input                                                         | Setting range                                                     |
|-----------|----------------------|---------------------------------------------------------------|-------------------------------------------------------------------|
| Ct_S      | Control Setpoint     | $\triangle$ or $\nabla$ to Increase/Decrease Temperature      | Min: ccS1<br>Max: ccS2                                            |
| HA_S      | High Alarm Setpoint  | $\triangle$ or $\nabla$ to Increase/Decrease Temperature      | Min: HAS1<br>Max: HAS2                                            |
| LA_S      | Low Alarm Setpoint   | $\triangle$ or $\nabla$ to Increase/Decrease Temperature      | Min: LAS1<br>Max: LAS2                                            |
| Ht_S      | Heater Setpoint      | $\triangle$ or $\nabla$ to Increase/Decrease Temperature      | Min: HS1<br>Max: HS2                                              |
| C_F       | Celsius / Fahrenheit | $\triangle$ or $\nabla$ to change between °C and °F           | C: Celsius<br>F: Fahrenheit                                       |
| IP_1      | Input 1 Invert       | $\triangle$ or $\nabla$ to changes between NC/NO door contact | 0: NC<br>1: NO                                                    |
| StAt      | System State         | Read Only                                                     | OFF: Off<br>IdL: Idle<br>CL: Cooling<br>Ht: Heating<br>tSt: Test  |
| OUtP      | Relay Outputs        | Read Only                                                     | H: Heater Relay<br>A: Ambient Blower Relay<br>C: Compressor Relay |

**Alarm codes**

| Alarm Code    | Description                            |
|---------------|----------------------------------------|
| AL1 - HI      | High Temp Alarm                        |
| AL2 - LO      | Low Temp Alarm                         |
| AL3 - PrEP    | Pressure Pipe Alarm                    |
| AL4 - AbS     | Ambient Sensor Faulty                  |
| AL5 - PPS     | Pressure Pipe Sensor Faulty            |
| AL6 - ICES    | Ice Sensor Faulty                      |
| AL7 - InS     | Internal Sensor Faulty                 |
| NA            | Not Available                          |
| AL9           | ...Check 'Digital Input 2' Table below |
| AL10 - ICE    | Ice Algorithm Active                   |
| AL11 - SLOC I | Incorrect Sensor Location              |

**Digital Input 2 Table**

|      |                 |
|------|-----------------|
| dIn2 | Generic Error   |
| PH_F | Phase Failure   |
| Pr_S | Pressure Switch |
| FL_S | Float Switch    |

**Digital Input 2 Table**

- Test mode is started by simultaneously pressing  $\triangle$  and  $\nabla$  for 3 seconds from the Home screen.
- When Test run is active, tESt will be shown blinking on the display

Test procedure when Internal Temperature is between 10°C and 50°C C (50°F and 122°F)

|                              |                             |
|------------------------------|-----------------------------|
| 0 to 30 seconds              | Ambient Blower              |
| 30 seconds to 5:30 Minutes   | Ambient Blower + Compressor |
| 5:30 Minutes to 6:30 Minutes | Ambient Blower + Heater     |

### 13A. IR33+ Wiring Diagram

|                 |   | 115/230V                      | 400V | 460V |
|-----------------|---|-------------------------------|------|------|
| Power Connector | 1 | L                             | -    | L1   |
|                 | 2 | -                             | L1   | -    |
|                 | 3 | N                             | L2   | L2   |
|                 | 4 | PE                            |      |      |
|                 | 5 | Normally open alarm contact   |      |      |
|                 | 6 | Alarm contact (COM)           |      |      |
|                 | 7 | Normally closed alarm contact |      |      |
|                 | 8 | Door contact                  |      |      |
|                 | 9 | Door contact                  |      |      |

#### Part List

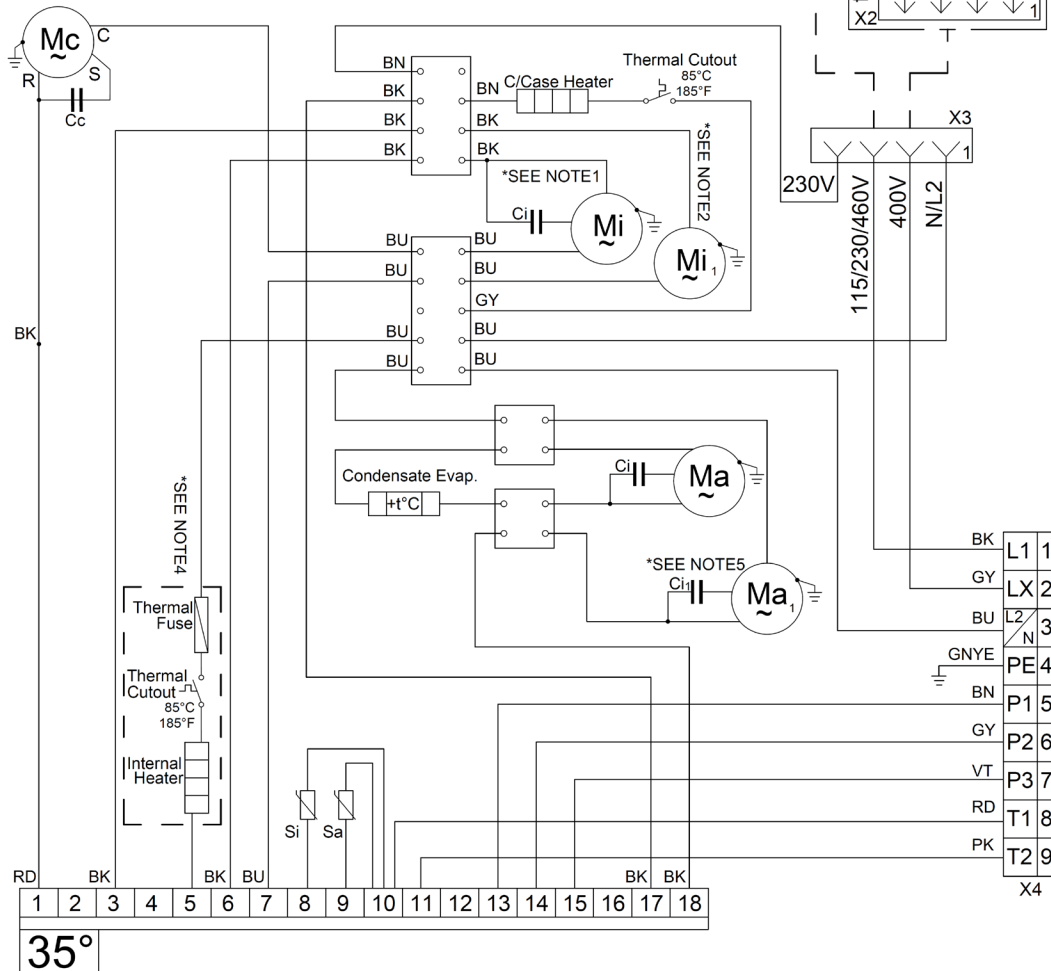
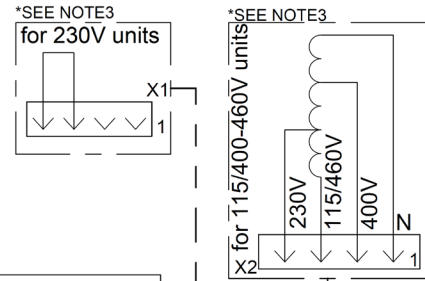
- Mc: Compressor
- Ma: Ambient fan
- Mi: Internal fan
- Cc: Comp. capacitor
- Ca: Amb. fan capacitor
- Ci: Int. fan capacitor
- Sa: NTC sensor for ambient temperature
- Si: NTC sensor for internal temperature

#### Notes

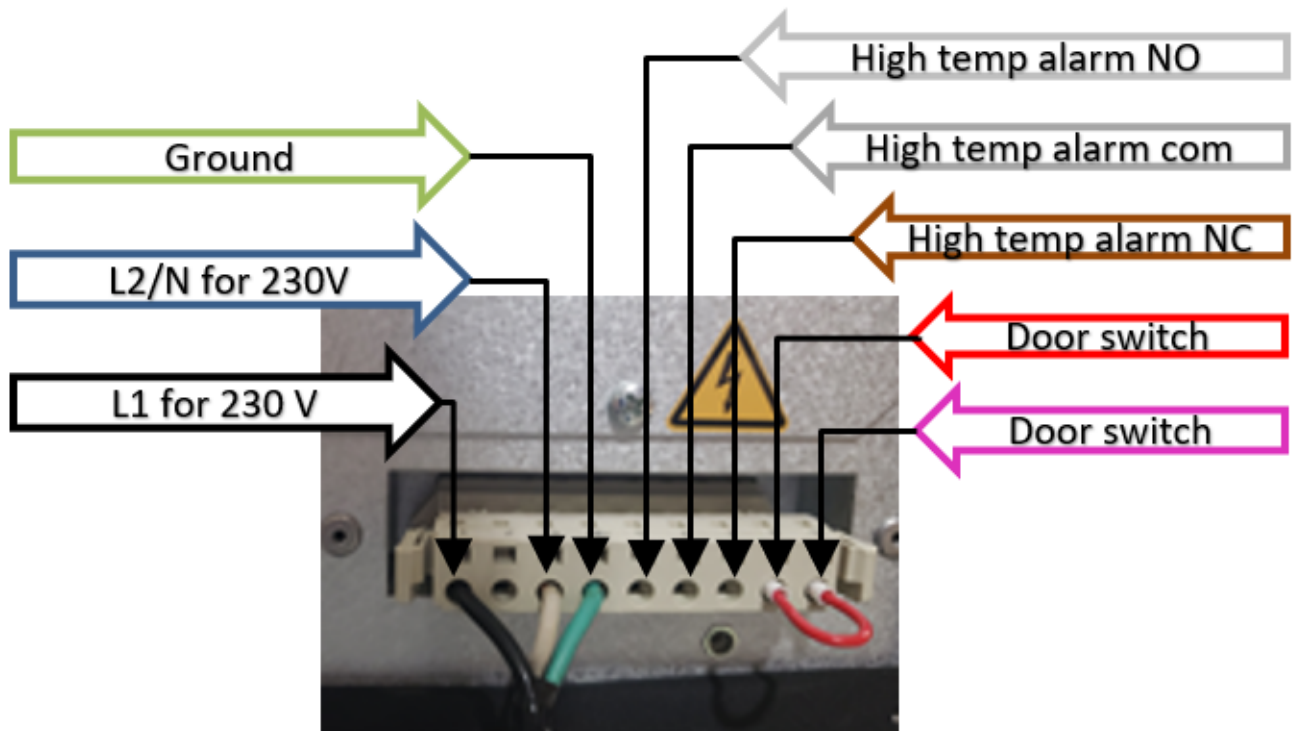
1. Ci not used in 300-850W [1000-2890BTU]
2. Mi<sub>1</sub> used only in 550-850W [1870-2890BTU]
3. X1 used for 230V units, X2 used for 115/400-460V units.
4. Connected for units with internal heater.
5. Ma<sub>1</sub>+Ca<sub>1</sub> for 4kW [13650BTU] only.

#### X4 Electrical Supply Connection

(see unit typeplate for unit voltage)  
 115/230V - 1: L1(115/230V), 3:N  
 400V - 2:LX(400V), 3:L2(400V)  
 460V - 1:L1(460V), 3:L2(460V)



## Wiring of a single phase 230 V unit



### 13B. PJS6 Wiring Diagram

**Part List**

- Mc: Compressor
- Ma: Ambient fan
- Mi: Internal fan
- Cc: Comp. capacitor
- Ca: Amb. fan capacitor
- Ci: Int. fan capacitor

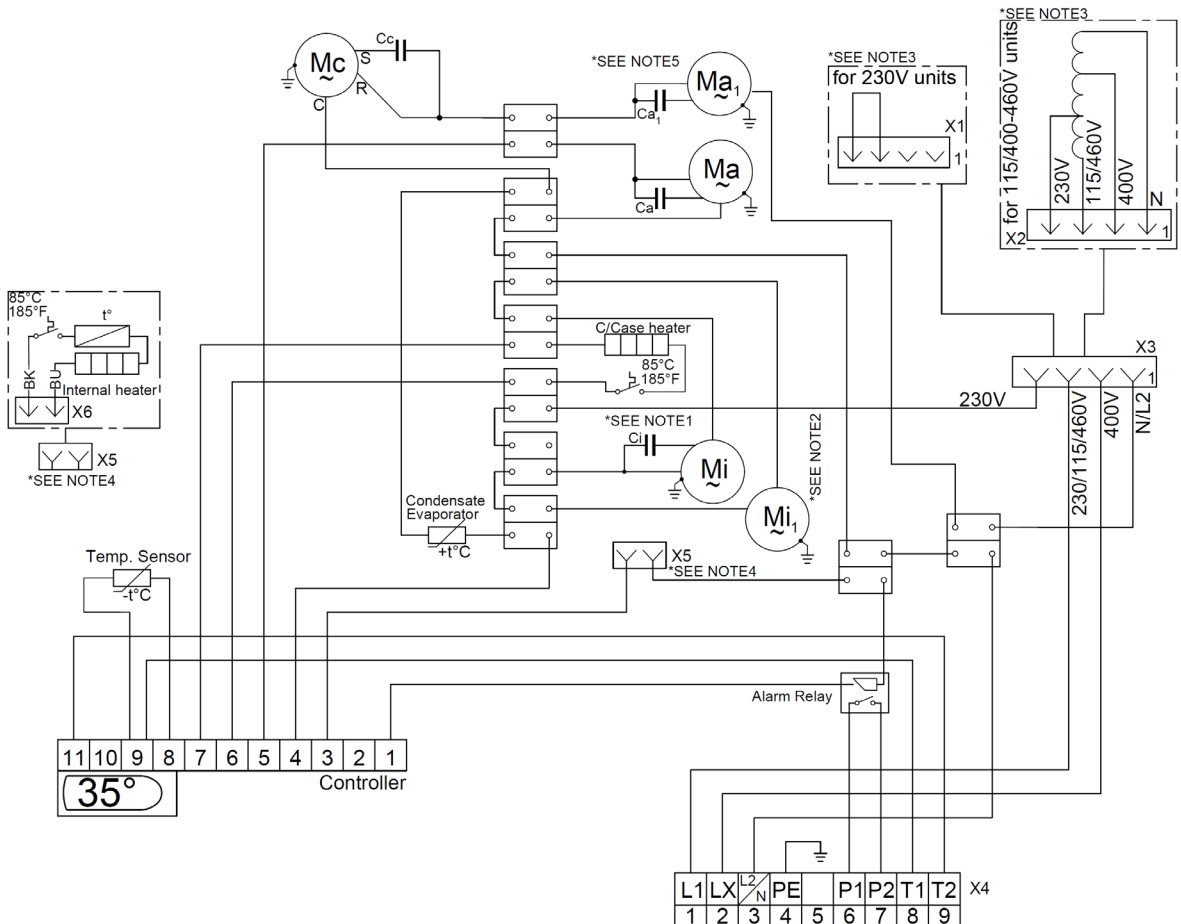
|                 |   | 115/230V                      | 400V | 460V |
|-----------------|---|-------------------------------|------|------|
| Power Connector | 1 | L                             | -    | L1   |
|                 | 2 | -                             | L1   | -    |
|                 | 3 | N                             | L2   | L2   |
|                 | 4 | PE                            |      |      |
|                 | 5 | -                             |      |      |
|                 | 6 | Normally closed alarm contact |      |      |
|                 | 7 | Normally closed alarm contact |      |      |
|                 | 8 | Door contact                  |      |      |
|                 | 9 | Door contact                  |      |      |

**X4 Electrical Supply Connections**

- (See unit typeplate):  
 230V Units - 1:L1 230V, 3:N  
 115V Units - 1:L1 115V, 3:N  
 460V Units - 1:L1 460V, 3:L2 460V  
 400V Units - 2:LX 400V, 3:L2 400V

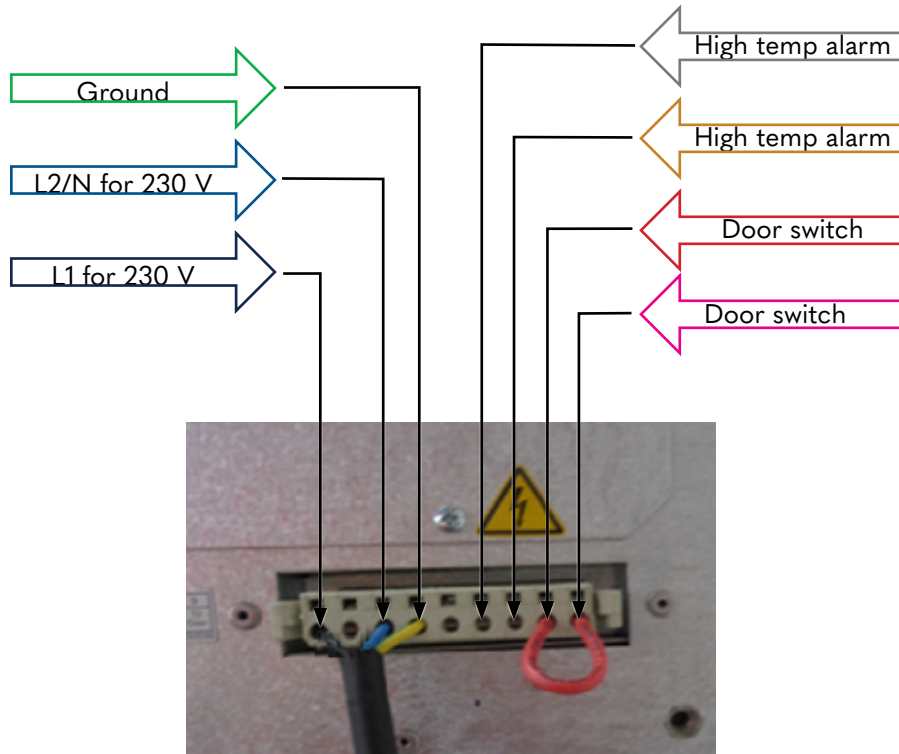
**Notes**

1. Ci not used in 300-850W [1000-2890BTU]
2. Mi<sub>1</sub> used only in 550-850W [1870-2890BTU]
3. X1 used for 230V units, X2 used for 115/400-460V units.
4. X6 is plugged into X5 for units with heater.
5. Ma<sub>1</sub>+Ca<sub>1</sub> for 4kW [13650BTU] only.



PR5960030240/Rev.f

Wiring for single phase 230 V unit



### 13C. DISP-1503 Wiring Diagram

|                          |   | 115/230V                      | 400V | 460V |
|--------------------------|---|-------------------------------|------|------|
| Power connector          | 1 | L                             | -    | L1   |
|                          | 2 | -                             | L1   | -    |
|                          | 3 | N                             | L2   | L2   |
|                          | 4 | PE                            |      |      |
|                          | 5 |                               |      |      |
| Supply/Signals connector | 1 | Normally open alarm contact   |      |      |
|                          | 2 | Alarm contact (COM)           |      |      |
|                          | 3 | Normally closed alarm contact |      |      |
|                          | 4 | Door contact                  |      |      |
|                          | 5 | Door contact                  |      |      |
| RS485 connector          | 1 | A                             |      |      |
|                          | 2 | Gnd                           |      |      |
|                          | 3 | B                             |      |      |

**Part List**

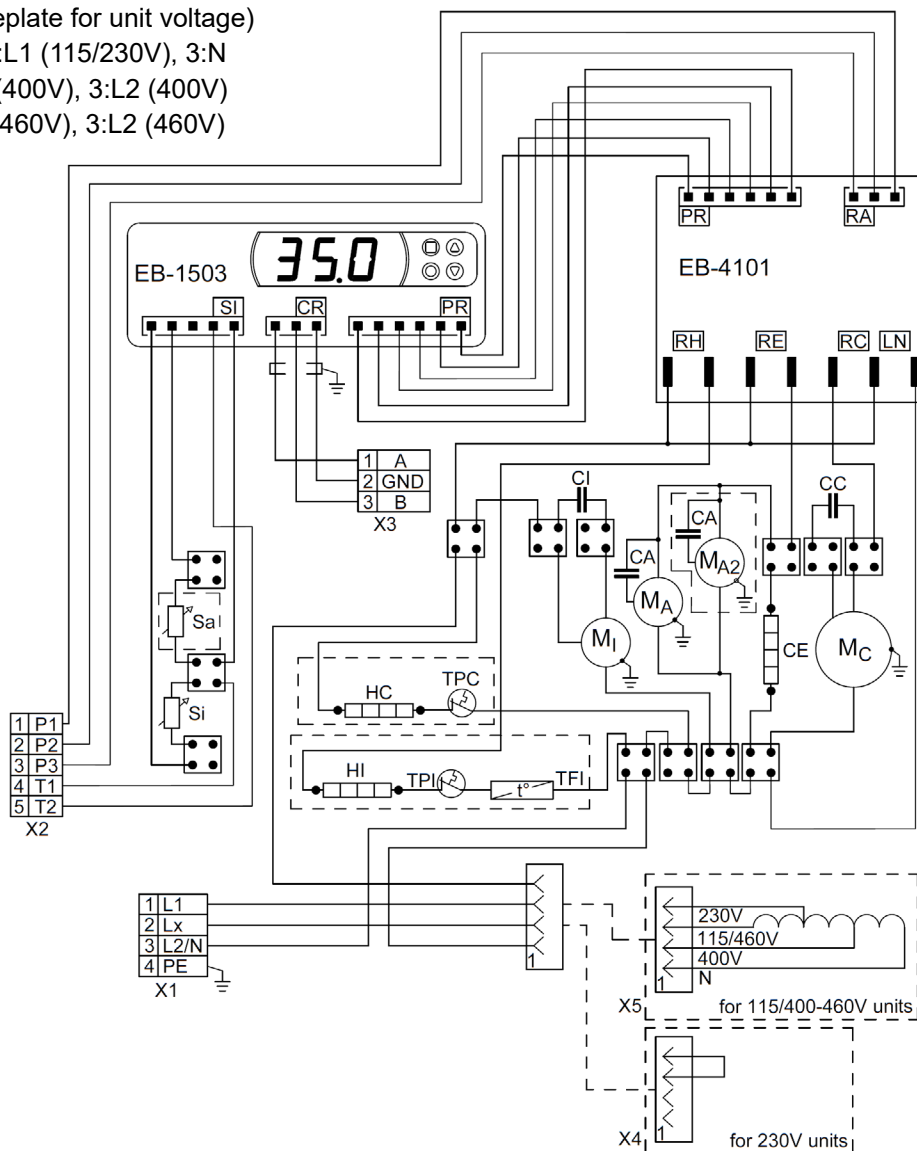
- X1: Power connector
- X3: RS485 connector
- X5: Auto transformer
- Ci: Capacitor for Mi
- Ca: Capacitor for Ma
- Cc: Capacitor for Mc
- Sa: Ambient temp sensor
- TPI: Thermal protector (185°F)
- HC: Compressor heater
- CE: Condensate heater
- X2: Signals/Alarms connector
- X4: 230V jumper
- Mi: Internal fan
- Ma: Ambient fan
- Mc: Compressor
- Si: Internal temp sensor
- Hi: Internal heater
- TFI: Thermal fuse (215.6°F)
- TPC: Thermal protector (185°F)

**Notes**

1. Use supply wires suitable for 167° F
2. Use copper conductors only
3. Optional components in dashed borders
4. X4 used for 230V units only
5. X5 used for 115/400-460V units only
6. MA2 used for 4kW (13650BTU) units only

**X1 Electrical Supply Connection**

(see unit typeplate for unit voltage)  
 115/230V - 1:L1 (115/230V), 3:N  
 400V - 2:LX (400V), 3:L2 (400V)  
 460V - 1:L1 (460V), 3:L2 (460V)







## 14. Taking Into Operation

### Attention!

The unit can be damaged by lack of lubricant. To ensure that the compressor is adequately lubricated, the oil, which has been displaced during transport, must be allowed to flow back into it. The unit must therefore be allowed to stand for at least 30 minutes before being connected to the mains and taken into operation. Upon connection the internal fan will start working. If the temperature inside the enclosure is higher than the set value of the controller, both the compressor and external air fan start working. Once the air inside the enclosure reaches the set temperature, the compressor and external fan will stop.

The unit is pre-set at 95°F, which is suitable for most of the electronic devices.

If Drainage required, use PVC 10mm (3/8 inch) ID Hose.

## 15. Repair

| Failure                      | Condition                                                                                                   | Cause                                                                     | Solution                                                              |
|------------------------------|-------------------------------------------------------------------------------------------------------------|---------------------------------------------------------------------------|-----------------------------------------------------------------------|
| <b>Unit Does Not Cool</b>    | Internal fan does not work                                                                                  | Power not connected.                                                      | Verify power supply                                                   |
|                              | Internal fan works, external fan and compressor do not work                                                 | Enclosure temperature is below setting temperature (St)                   | Verify values of parameter "St"                                       |
|                              |                                                                                                             | Door switch contact is open                                               | Verify door switch                                                    |
|                              |                                                                                                             | Controller does not work                                                  | Replace controller                                                    |
|                              | Internal fan works, external fan and compressor do not work Display shows alternating "OFF" and temperature | The sequence of the phases inside the power supply connector is incorrect | Change phases inside power supply connector                           |
|                              | External and internal fan work, compressor does not work                                                    | Compressor motor electrical failure                                       | Verify external fan, verify ambient temperature, clean condenser      |
|                              |                                                                                                             | Capacitor for compressor failed                                           | Replace capacitor                                                     |
|                              | Compressor works, external fan does not work                                                                | External fan needs to be replaced                                         | Replace external fan                                                  |
| <b>Enclosure Overheating</b> | Compressor and fans (external and internal) work all the time                                               | Unit cooling undersized                                                   | Enclosure needs a bigger cooling unit                                 |
|                              | Enclosure needs a bigger cooling unit                                                                       | Thermal compressor protector triggered                                    | Verify ambient temperature, clean condenser                           |
|                              |                                                                                                             | Refrigerant leakage                                                       | Contact dealer/service center                                         |
| <b>Excessive Condensate</b>  | Door enclosure open                                                                                         | Ambient air gets into the enclosure                                       | Ensure door is closed, add a door switch and connect it to controller |
|                              | Door enclosure closed                                                                                       | Enclosure IP degree minimum IP54                                          | Seal openings on enclosure                                            |
|                              |                                                                                                             | Damaged/misplaced sealing strip                                           | Repair strip accordingly                                              |



## 16. Maintenance & Cleaning

*Always switch power supply off before starting any maintenance on the unit.*

Any repairs that may be needed must only be done by qualified personnel. The cooling unit is a low maintenance type and for most environments, no filter is required. If an air filter is installed, check it periodically for dirt and clogs. Clean or replace filter when necessary.

### Disposal

The cooling unit contains R134a refrigerant and small quantities of lubricating oil. Replacement, repairs and final disposal must be done according to the regulations of each country for these substances.

## 17. Transportation & Storage

During transport and storage the cooling unit must be kept in the position marked on the box and at a temperature between -40°F and 158°F and a relative humidity of max. 95% (at 77°F). Check that the packaging has not been damaged during transport.

## 18. Parts Supplied

- 1 x Air Conditioner
- 1 x Instruction Manual with technical information
- 1 x Mounting Template in 1:1 scale
- 1 x Installation pack containing:
  - 10 x M6 Bolts
  - 10 x A6.4 Toothed Washers
  - 10 x A6.4 Washers
  - 1 x Female Connector with shorted wired positions for door contact

### Saginaw Control and Engineering

95 Midland Road  
Saginaw, MI 48638-5770

Phone: (989) 799-6871

Fax: (989) 799-4524

[sce@saginawcontrol.com](mailto:sce@saginawcontrol.com)

## 19. Warranty / Limits of Liability

All goods manufactured by SCE shall be warranted to be free of defects in material or workmanship for a period of two years from the date of shipment. Should the product be proven to SCE to be defective, we shall option to repair or replace the product. At no time will SCE reimburse purchaser for unauthorized rework on any product.

Air Conditioners & Heat Exchangers are warranted on parts and service for a period of two years from the date of shipment by Saginaw Control and subject to the following conditions and exclusions:

All Goods must be installed and operated according to the following specifications: Maximum voltage variation no greater than plus or minus 10% of nominal rating; Maximum frequency variation no greater than plus or minus 3 Hz. from nominal rating; Must not exceed minimum and maximum rated temperatures; Must not exceed (BTU/Hr) rating; Filters must be cleaned regularly; Must be installed and grounded in accordance with all relevant electrical and safety codes, as well as the National Electric Code and OSHA rules and regulations; Must be installed in a stationery application, free of vibration.

Our warranty does not warranty product that has been modified, subjected to abuse, negligence in operation or maintenance, or if product is used in a manner that exceeds its designed capabilities and rating.

Warranty related claims will be returned to the factory for evaluation and final disposition of the claim, any replacement parts will be invoiced at standard pricing and credit issued for the returned product. If the product has been found to have been modified, subjected to abuse, negligence in operation or maintenance, or if product has been used in a manner that exceeds its designed capabilities and rating, credit may be reduced, denied or additional cost may be assessed and passed on to the purchaser, such as return freight.