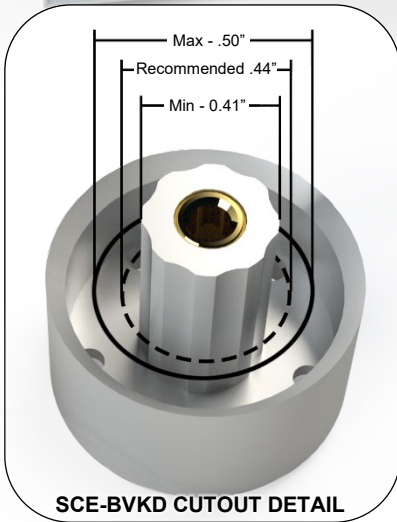


BREATHER VENT KIT DRAIN



TYPE 1, 3, 3R, 4, 4X & 12



Drill .44" hole on bottom of enclosure.



BILL OF MATERIAL			
ITEM	QTY	PART DESCRIPTION	PART I.D.
1	1	8-32 X 3/8" Threaded Press In Brass Insert	NA
2	1	Drain Body	NA
3	1	Drain Cap	NA
4	1	Foam Filter, 0.82 O.D. x 0.41 I.D. x 0.25 Thick	NA
5	1	Screw, Flat Head Phillips, 8-32 x 3/4", Steel, Zinc Clear	NA

For use on bottom of the enclosure
Qty 2 may be necessary for enclosures greater than 30 inches wide