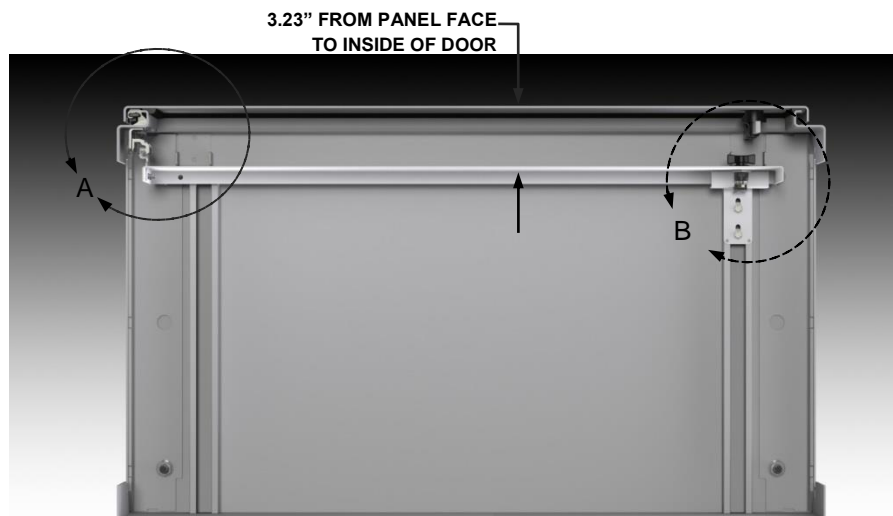


# DEAD FRONT FOR IMS ENCLOSURE



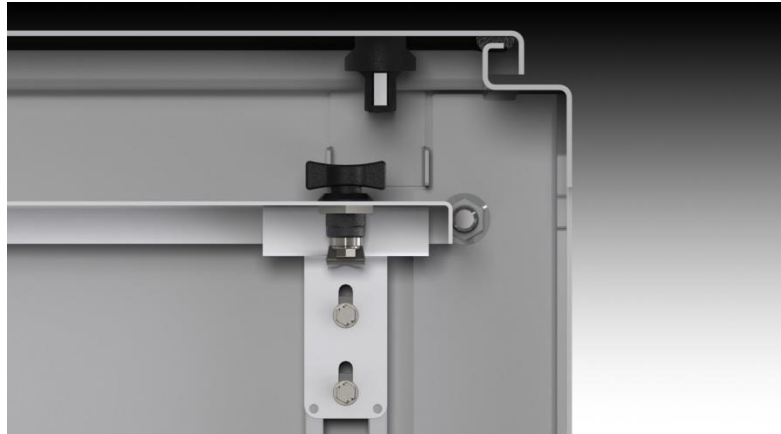
**DEAD FRONT PANEL SIZE:**  
**H = ENCLOSURE HEIGHT - 4.91"**  
**W = DOOR OPENING WIDTH - 0.25"**

INCLUDES BOLT PACK #128424



**INTERIOR TOP  
SECTION VIEW**

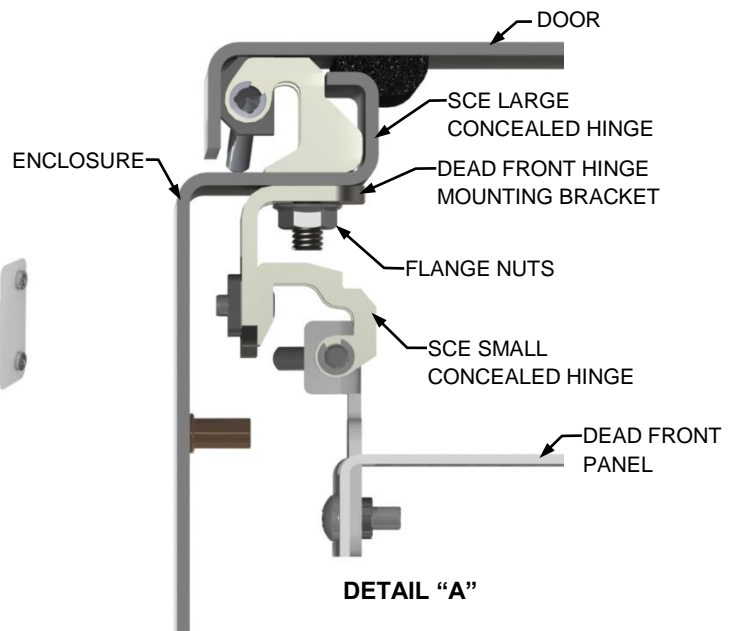
# DEAD FRONT FOR IMS ENCLOSURE



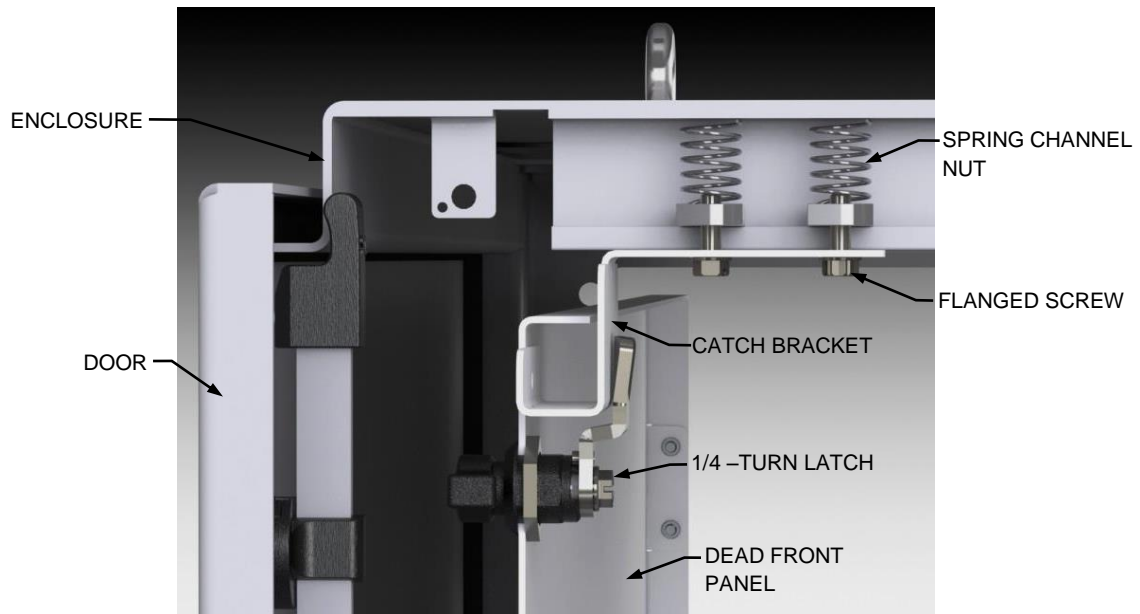
DETAIL B



EXPLODED DEAD FRONT HINGE DETAIL  
[INSTALLATION VIDEO](#)



DETAIL "A"



SECTION Z-Z