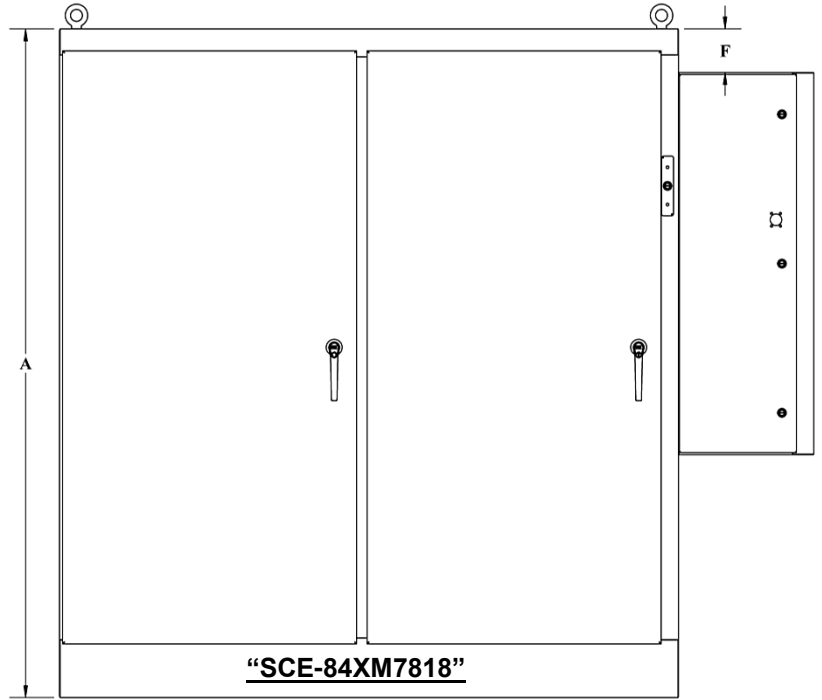
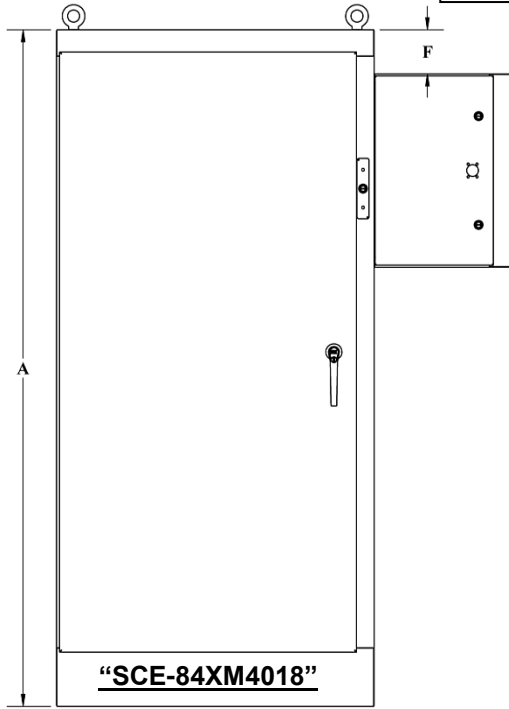


# EXR ENCLOSURE / CUTOUT LOCATION

HEAVY DUTY FREE-STANDING ENCLOSURES FOR FLANGE-MOUNTED DISCONNECTS (ONE THROUGH SIX DOOR)

F = 0.00 [0] when A = 72.00 [1829]  
 F = 5.47 [139] when A = 84.00 [2134]  
 F = 8.47 [215] when A = 90.00 [2286]



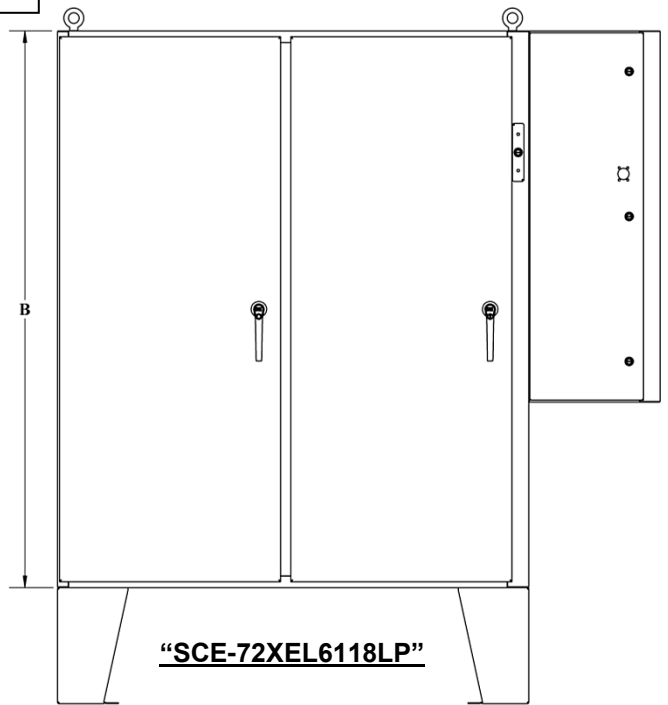
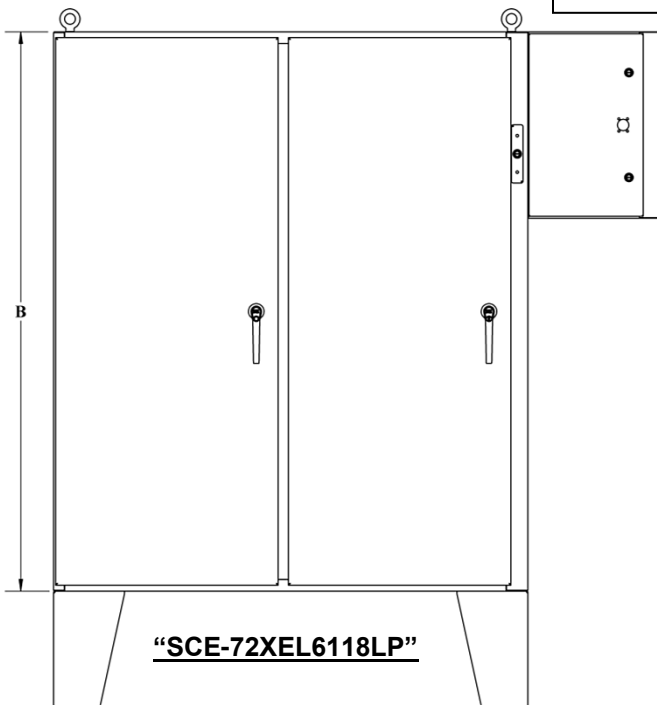
ENCLOSURES  
WITH  
SCE-EXR12-30T200

ENCLOSURES  
WITH  
SCE-EXR18-400

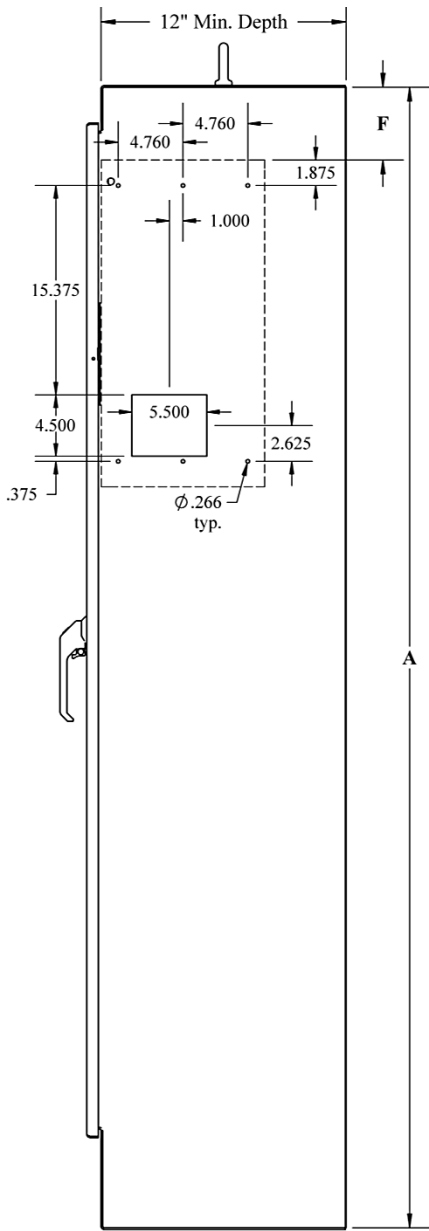
ENVIROLINE SERIES TWO-DOOR ENCLOSURES FOR FLANGE-MOUNTED DISCONNECTS

**FLUSH WITH TOP WHEN:**

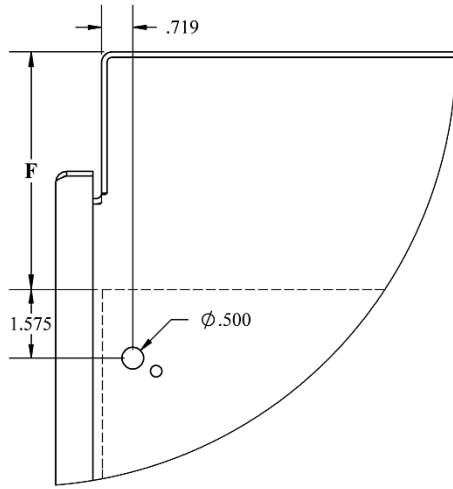
B = 72.00 [1829]



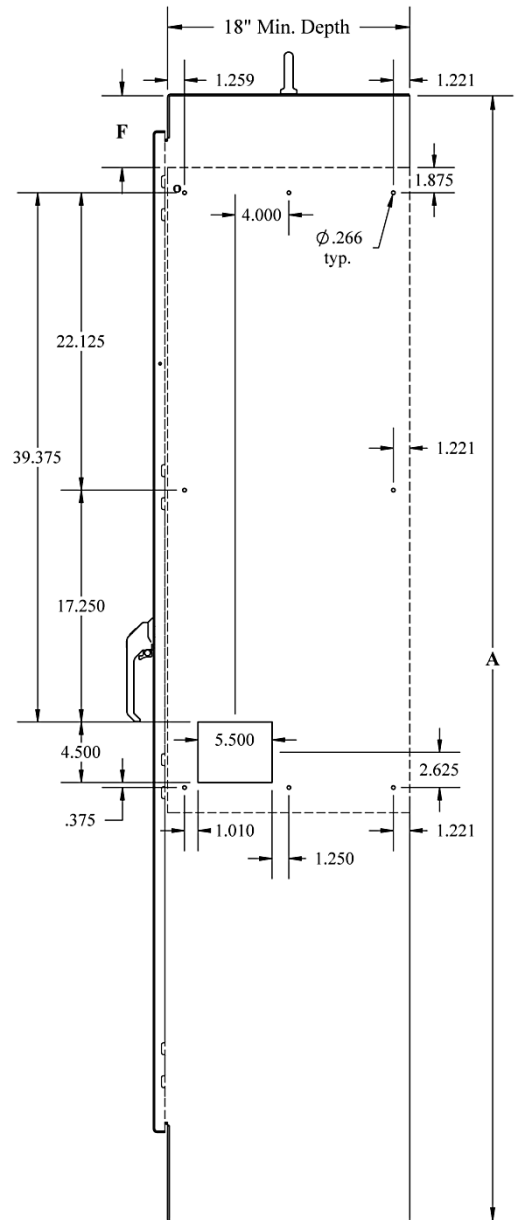
# EXR ENCLOSURE / CUTOUT LOCATION



**CUTOUT FOR  
SCE-EXR12-30T200**



**TYPICAL  
LOCATION FOR  
WIRE**



**CUTOUT FOR  
SCE-EXR18-400**