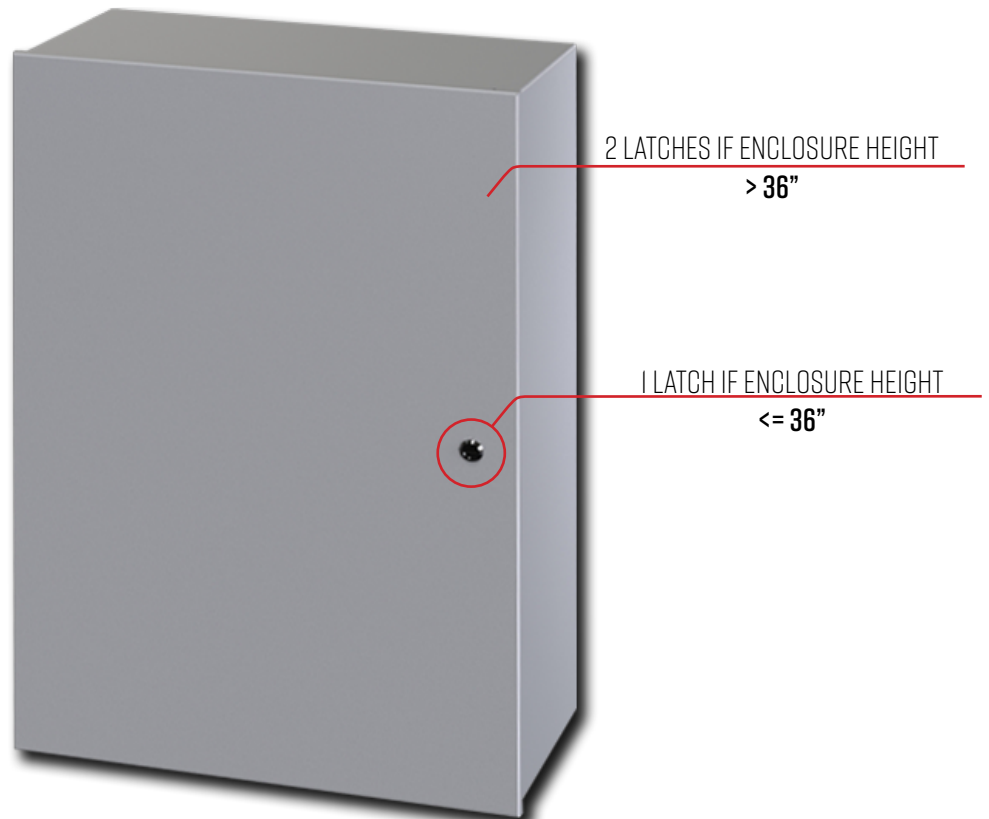


DOOR LATCHING

SPECIFICATIONS

NEMA 1 ENCLOSURES

REF: [SCE-36N3008LP](#)



ENCLOSURES WITH 2 OR 3 POINT LATCHING

REF: [SCE-42EL3612LPPL](#)

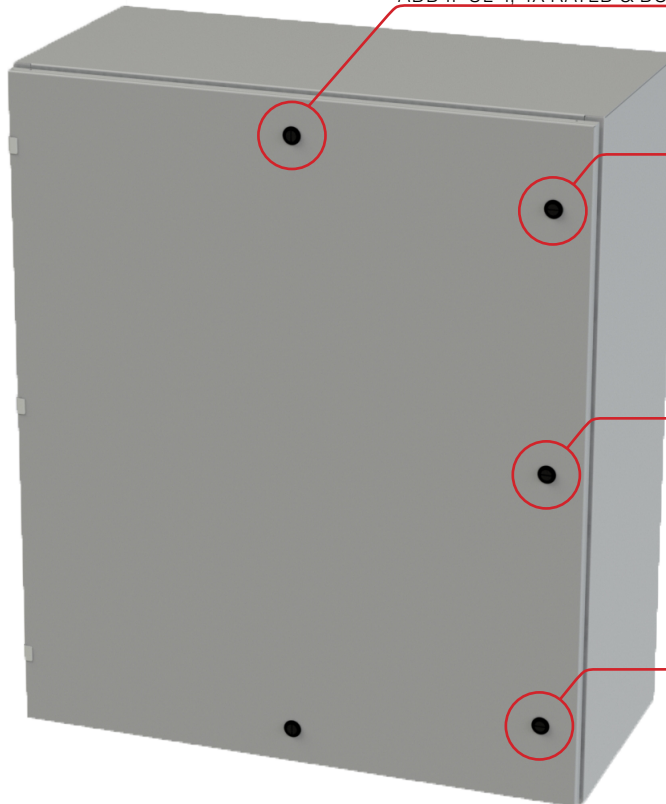


ADD IF UL 4, 4X RATED & DOOR WIDTH >30"



EL / HINGED 3R ENCLOSURES

REF: [SCE-42EL3616LP](#)



ADD IF UL 4, 4X RATED & DOOR WIDTH >30"

2 LATCHES IF ENCLOSURE HEIGHT
>=24" & < 40"

1 LATCH IF ENCLOSURE HEIGHT
< 24"

3 LATCHES IF ENCLOSURE HEIGHT
>= 40"

VENTED 3R ENCLOSURES

REF: [SCE-35VR24I2](#)



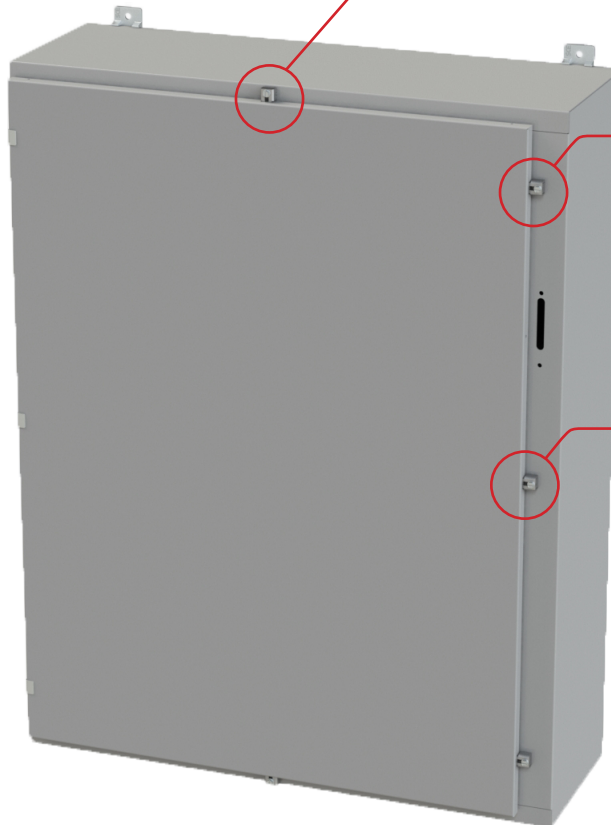
3 LATCHES IF DOOR HEIGHT
> 25.3"

1 LATCH IF DOOR HEIGHT
<= 25.3"



HS-LP ENCLOSURES

REF: [SCE-48HS37I2LP](#)



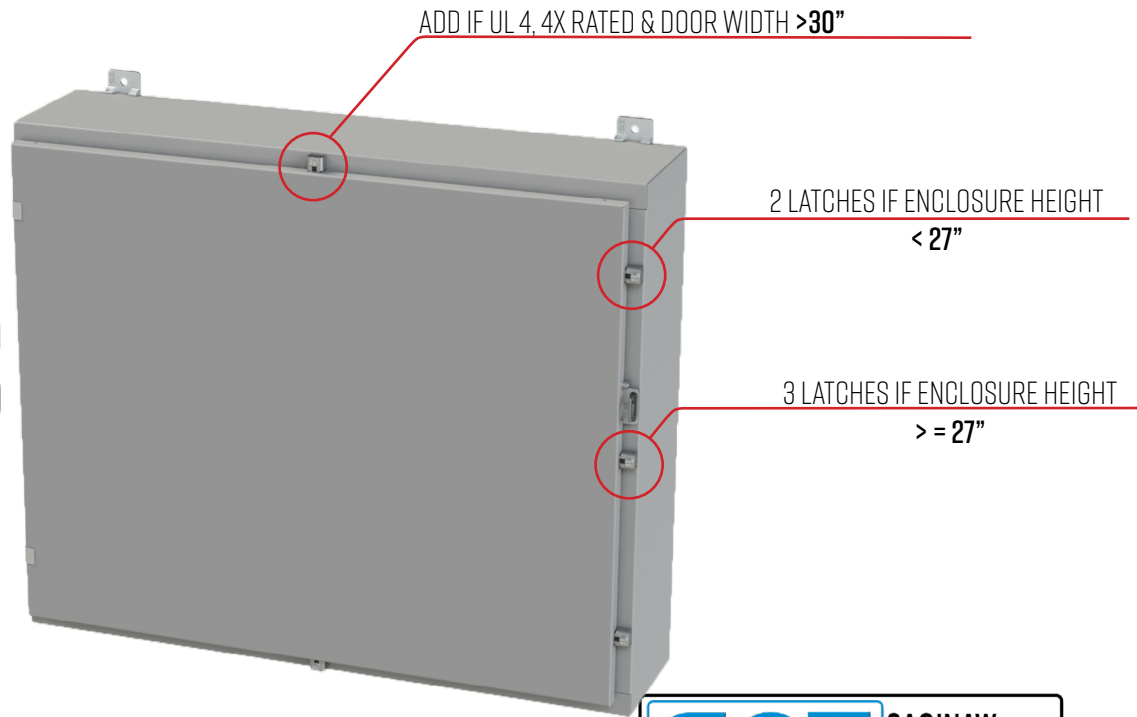
ADD IF UL 4, 4X RATED & DOOR WIDTH >30"

2 LATCHES IF ENCLOSURE HEIGHT
<= 36"

3 LATCHES IF ENCLOSURE HEIGHT
>36"

H-LP ENCLOSURES

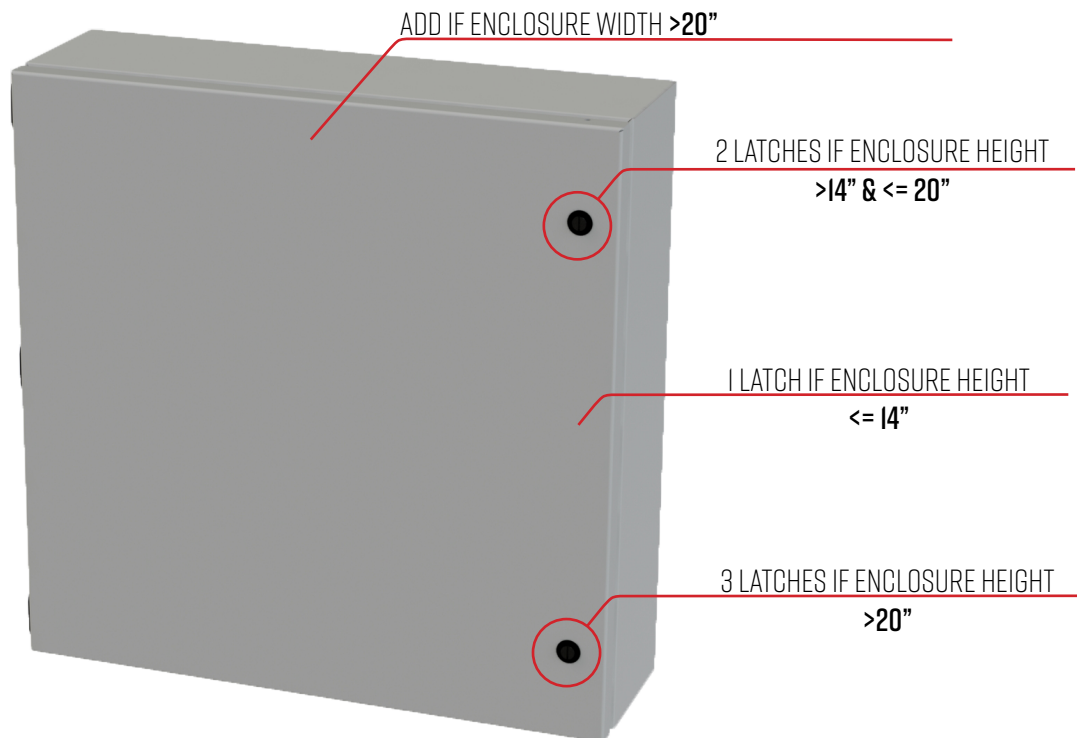
REF: [SCE-30H3608LP](#)



Your Enclosure Source®

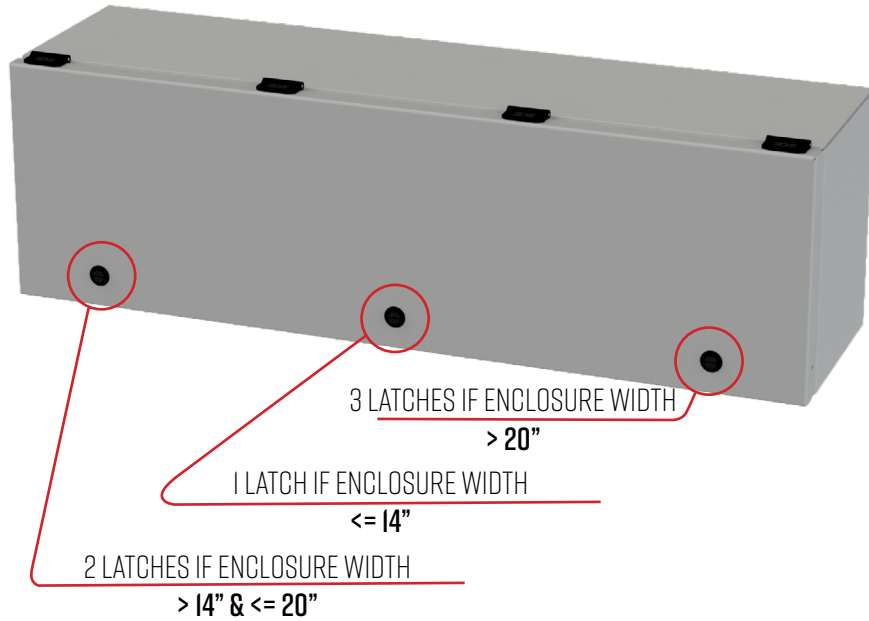
ELJ ENCLOSURES

REF: [SCE-20206ELJ](#)



ELJ LANDSCAPE ENCLOSURES

REF: [SCE-L9308ELJ](#)



Your Enclosure Source®

CH ENCLOSURES

REF: [SCE-1412CHNF](#)

