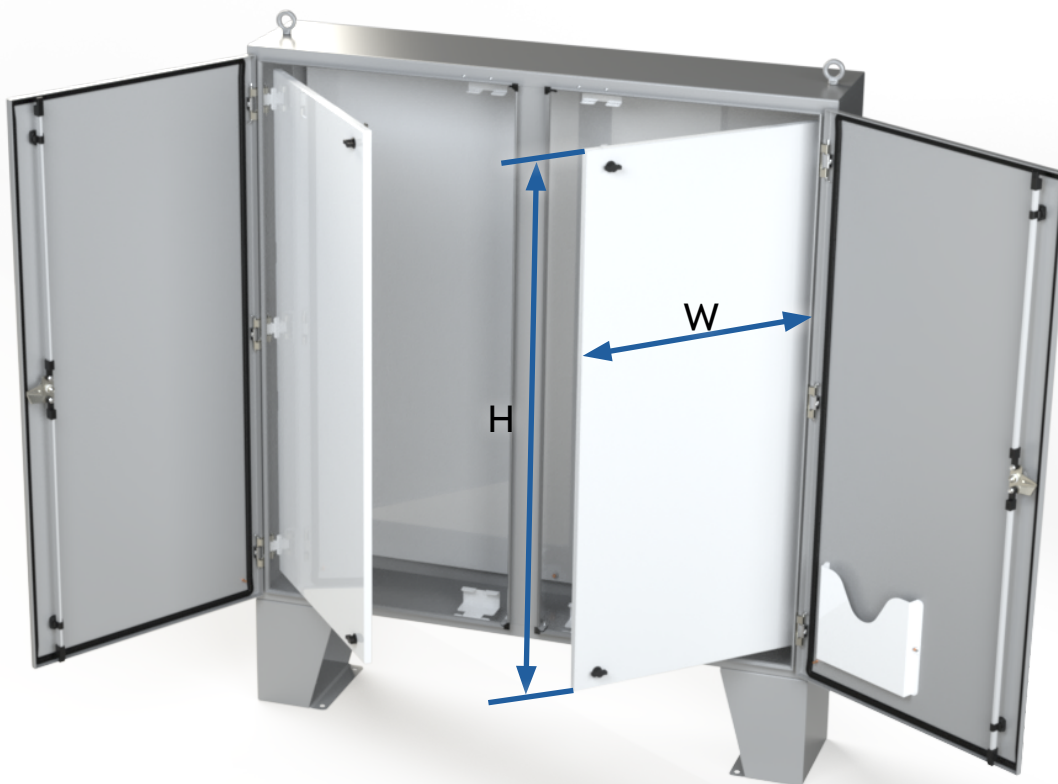


# DEAD FRONT, TWO DOOR WITH CENTER CHANNEL



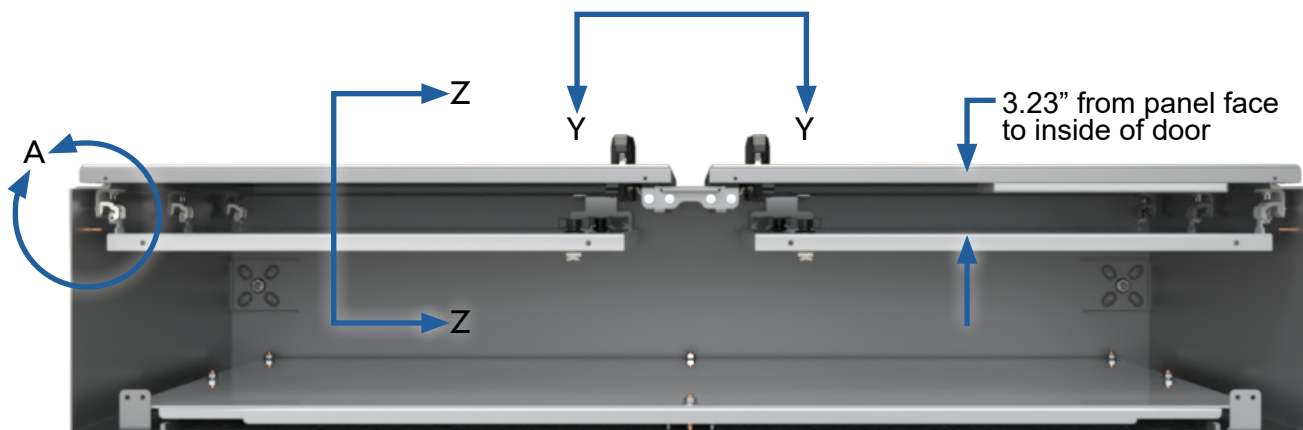
Front Isometric View  
doors and dead fronts open

## Dead front panel size:

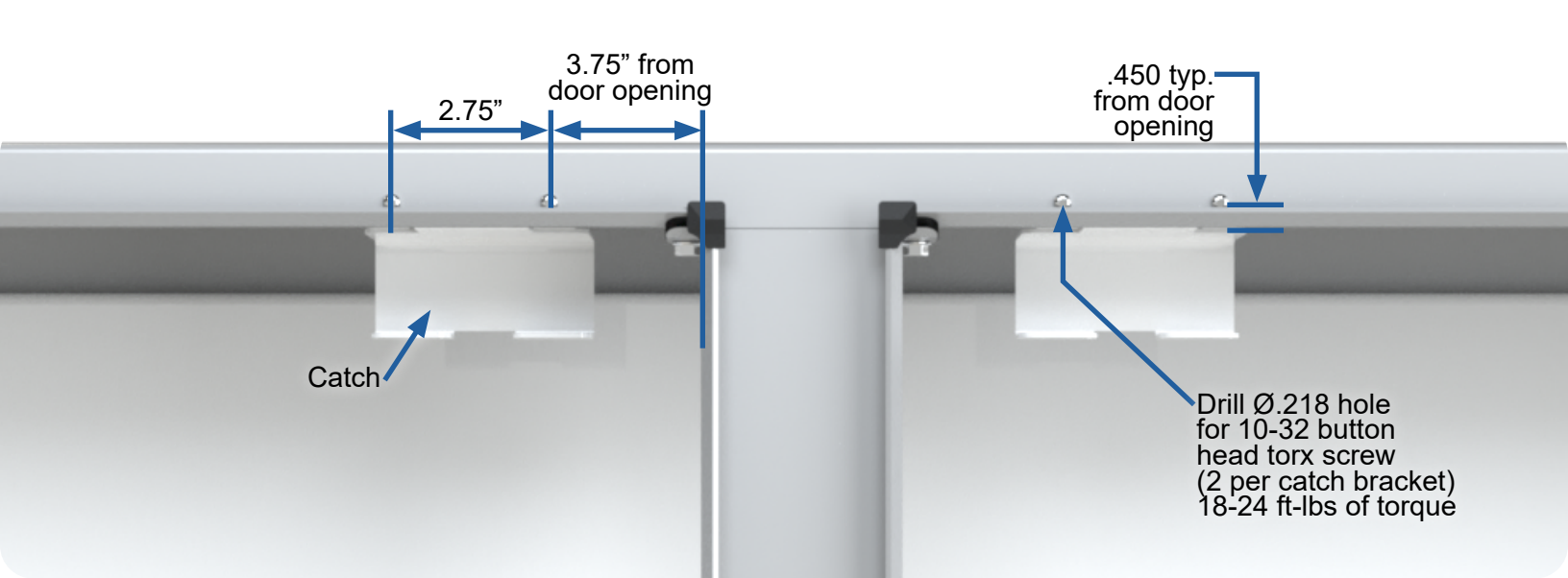
H = Enclosure door opening - 2.50"  
W = Enclosure door opening - 1.13"

## Bolt pack:

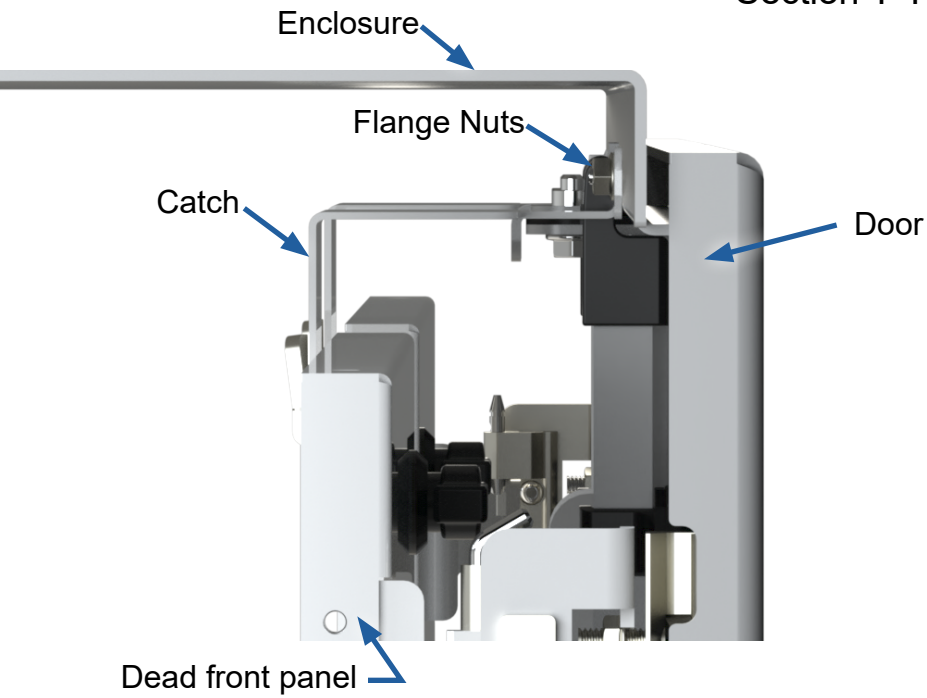
132000 for 3 hinge dead fronts  
131982 for 4 hinge dead fronts



Bottom View  
with bottom removed



Section Y-Y



Section Z-Z

