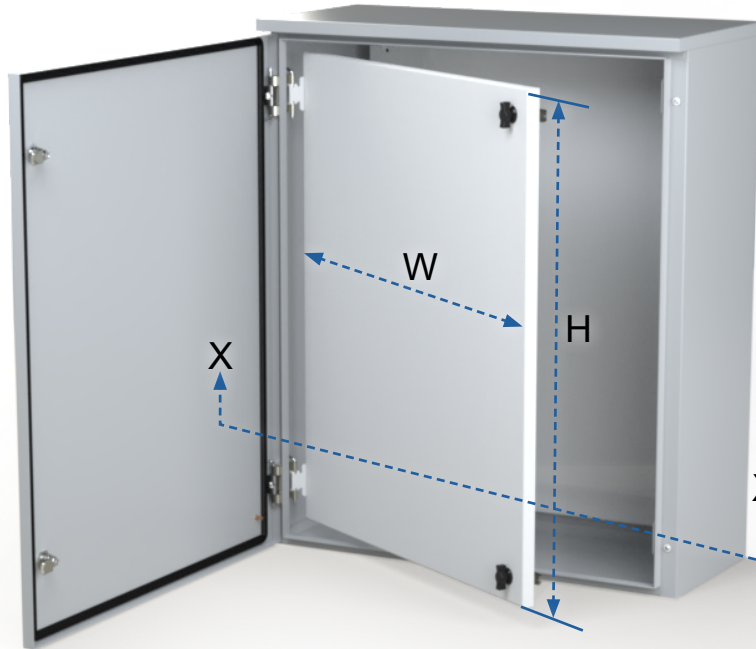


# 3R DEADFRONT



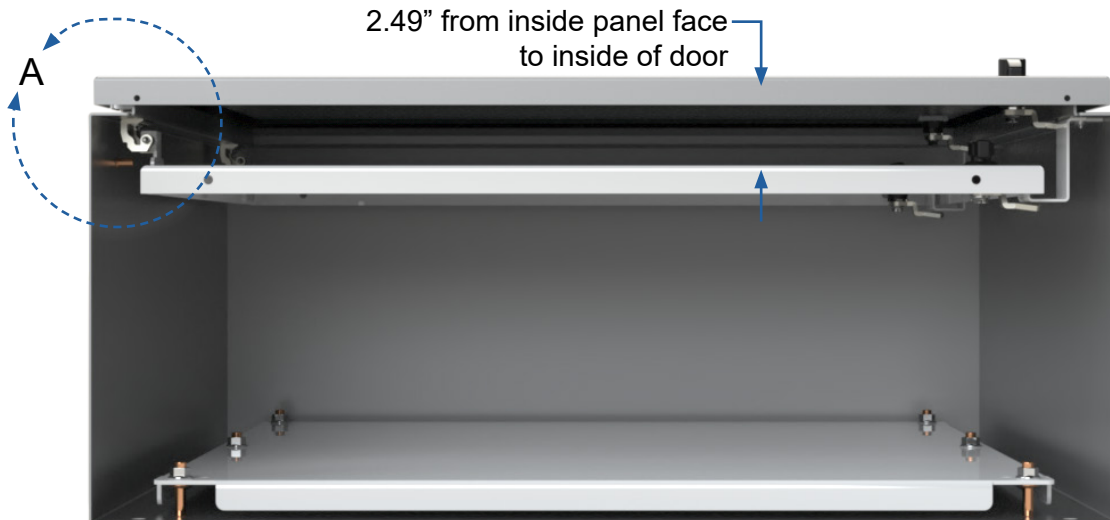
## 14ga Hinged 3R Dead Front Panel

H = Enclosure door opening - 1.756"  
W = Enclosure door opening - 0.797"

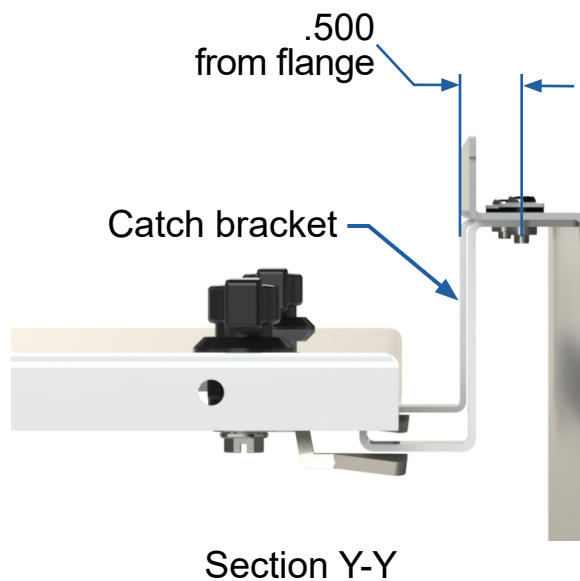
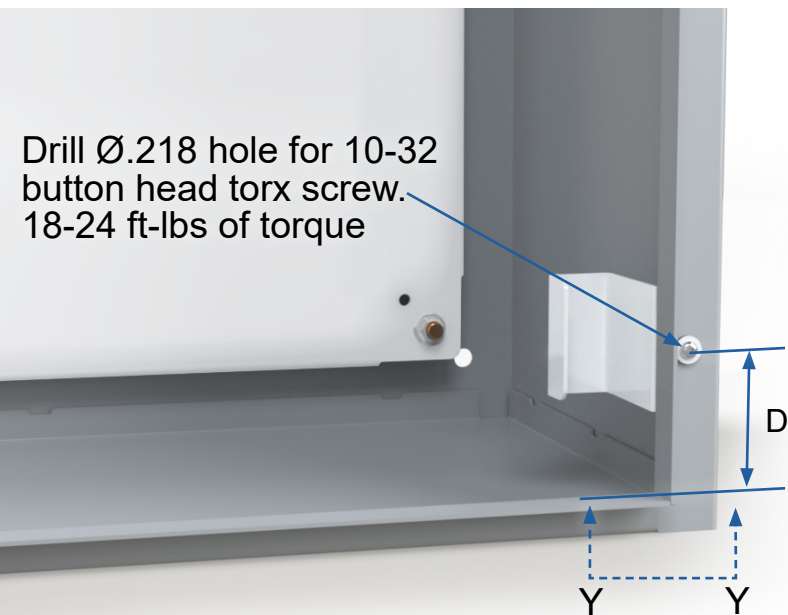
## 16ga Hinged 3R Dead Front Panel

H = Enclosure door opening - 1.742"  
W = Enclosure door opening - 0.797"

Bolt pack:  
113346 for 2 hinge dead fronts  
113347 for 3 hinge dead fronts



Bottom view section X-X  
View shown with doors and dead front panels closed



**D - 14ga Hinged 3R**  
2.628" O.D. from flange

**D - 16ga Hinged 3R**  
2.606" O.D. from flange

