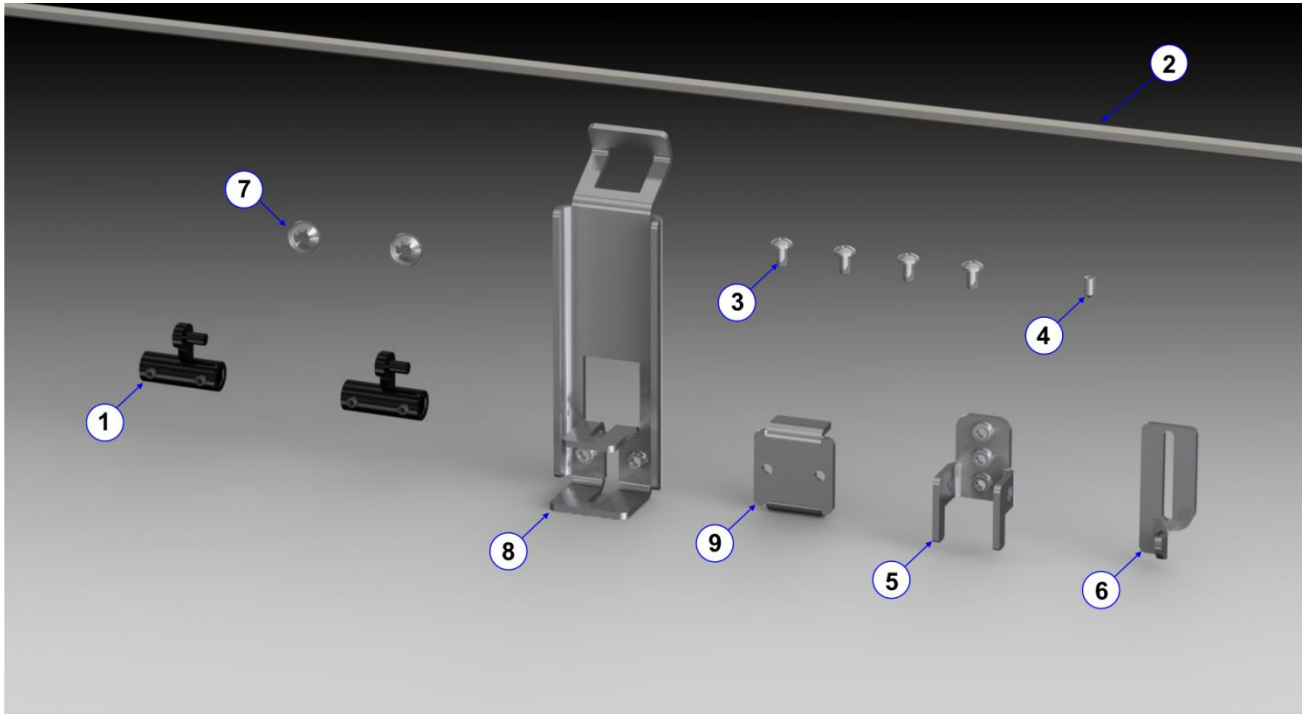
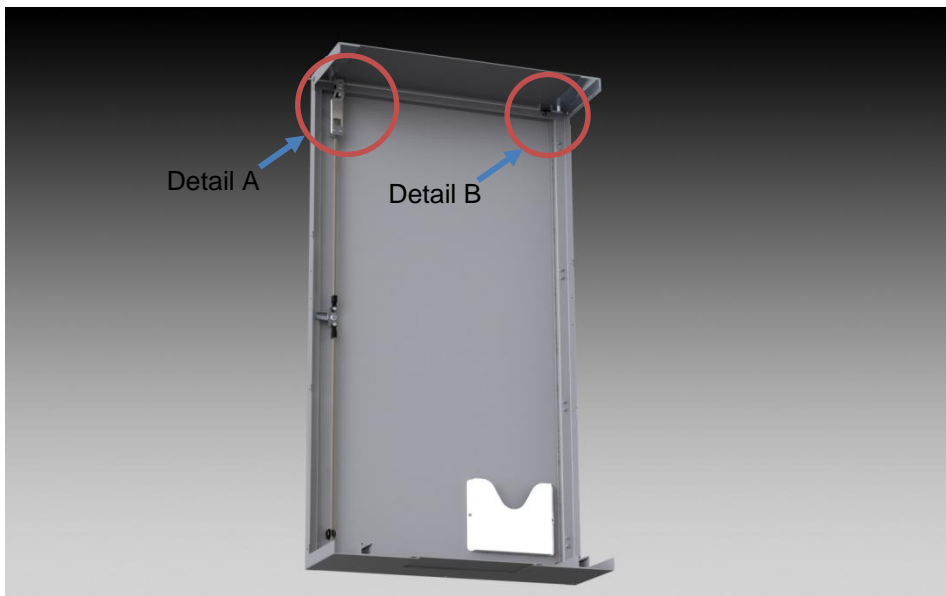


# SCE-SDMI INTERLOCK KIT

SCE-SDMI is an interlock kit designed for use on the slave door of IMS enclosures.



Item	Qty	Description	Part #
1	2	Mechanical Interlock 0.31 Horizontal Hex Rod Adapter w/2 Set Screws	101384
2	1	Hex Rod, 1/4 x 1/4 x 1/4 x 41.00" Long, 6061-T6, Aluminum	101819
3	4	Screw, Round Head Phillips, 10-32 X 3/8", Steel, Zinc Clear	102479
4	1	Screw, Set, Socket Head, Cone Point, 10-32 X 3/8", Steel, Black	102482
5	1	OL Door Pivot Arm, 2.14 x 1.25 x 1.00, Steel, Zinc	102677
6	1	OL Door Adj. Hook Arm, 2.43 x 1.00 x 0.62, Steel, Zinc	102679
7	2	Adapter, Push Nut, 0.38" Diameter, Steel, Zinc Plated Clear	118570
8	1	Mechanical Interlock, Overlapping Door Catch, 6.69 x 2.00 x 2.00, Steel, Zinc	128368
9	1	Mechanical Interlock, OL Door Catch Retainer 1.69 x 1.50 x 0.57, Steel, Zinc	128369



# SCE-SDMI INTERLOCK KIT



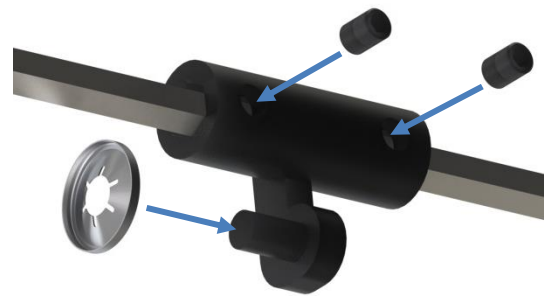
Detail A



Detail B



Detail A  
Exploded



Detail B  
Exploded