

CUTOUT PATTERN FOR PROGRAM PORTS

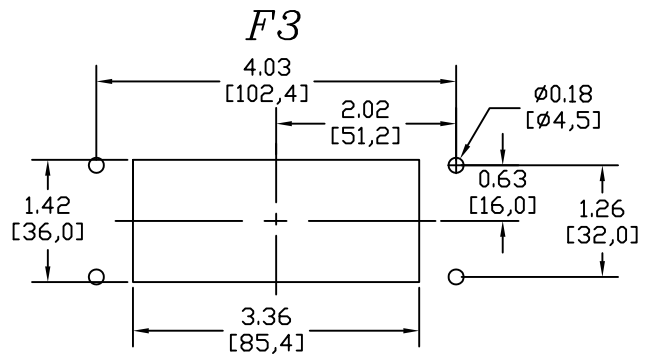
F3: PART NUMBERS

P-R2-F3R3-U450

P-Q7-F3R3-U450

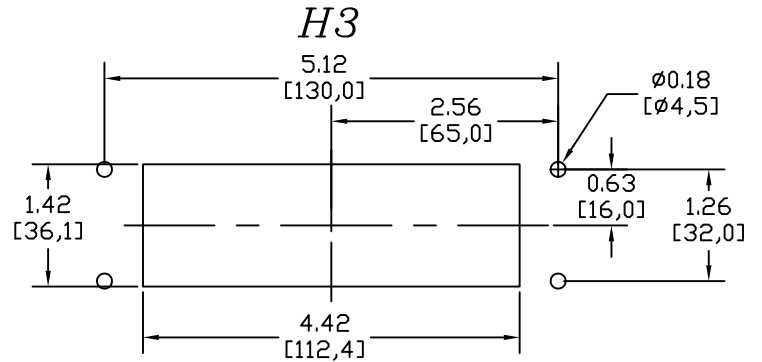
P-Q9-F3R3-U450

P-B15-F3R3-U450



H3: PART NUMBERS

P-D4-H3R3-U450



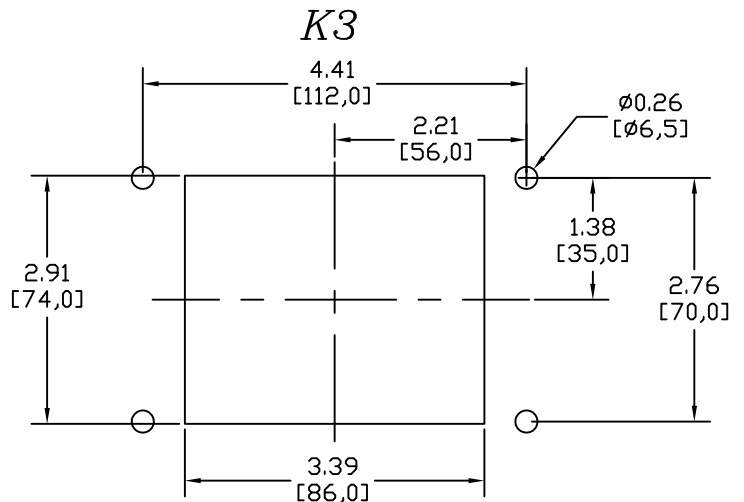
K3: PART NUMBERS

P-R2-K3RF3-U450

P-Q7-K3RF3-U450

P-Q9-K3RF3-U450

P-B15-K3RF3-U450



M3: PART NUMBERS

P-D4-M3RF3-U450

